

i

Y	X
16	83
19	74
22	64
26	52
28	46

16, 26, 107°, Y (≤28), X, 1,5, 167, 105, 3, 3, ≥100, 4

1

16, 12, Ø5, 38, 32, 32, 32, 37, Ø5

2

5 mm, 9 mm

i

B^*

$* B = A - 5,5$

B min. = 7,0
B max. = 13,5

24,5 + A, 40,5 + A, 6,5, Ø9, 32, 32, A, A+15,5, A+15,5, A, F, A, K, Ø9, 6,5, Ø7,8, 90°

$A = K - F$

Euro ø 6,3

732.23.011

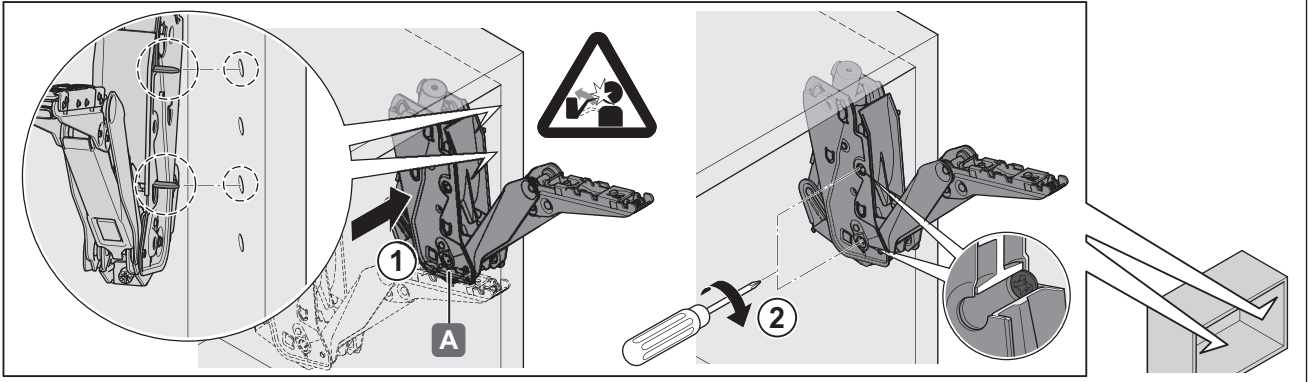
12.0001.010.378.0000.00

HDE 19.12.2012

3



PZ 2

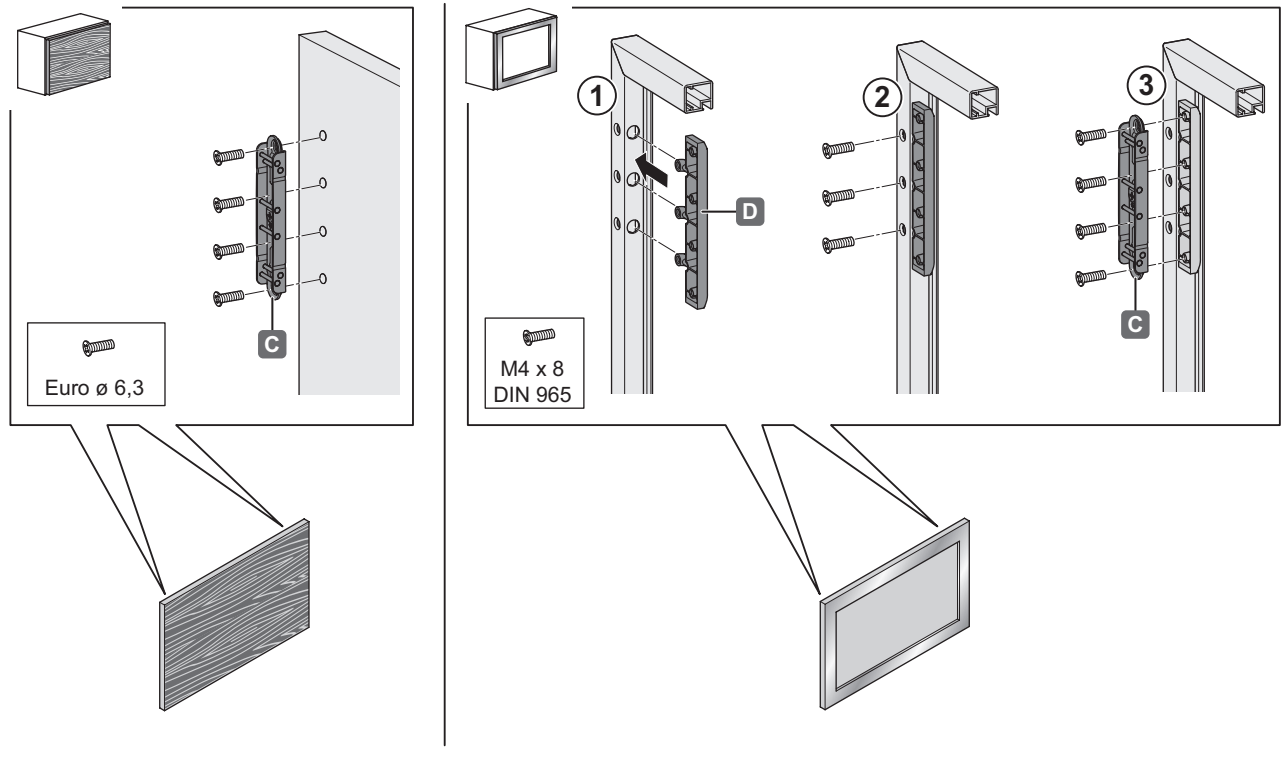


4



PZ 2

mm

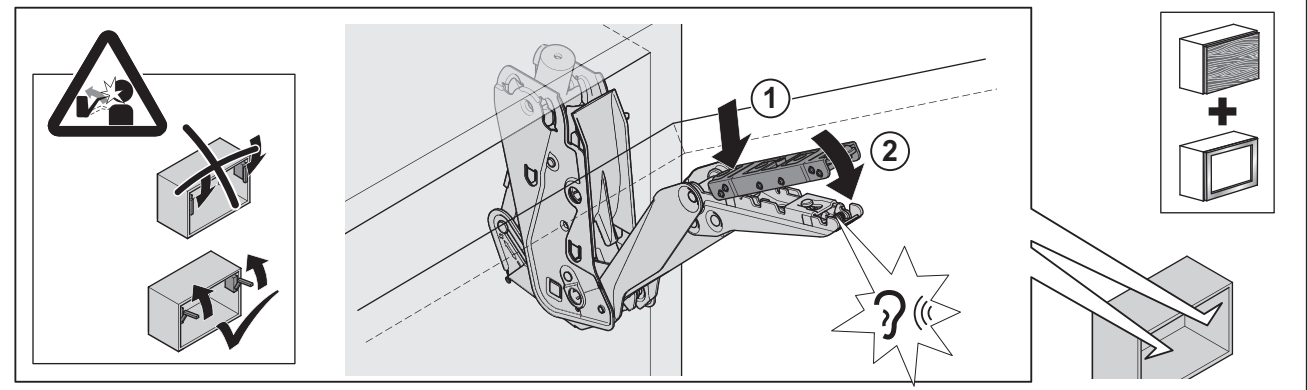


732.23.011

12.0001.010.378.0000.00

HDE 19.12.2012

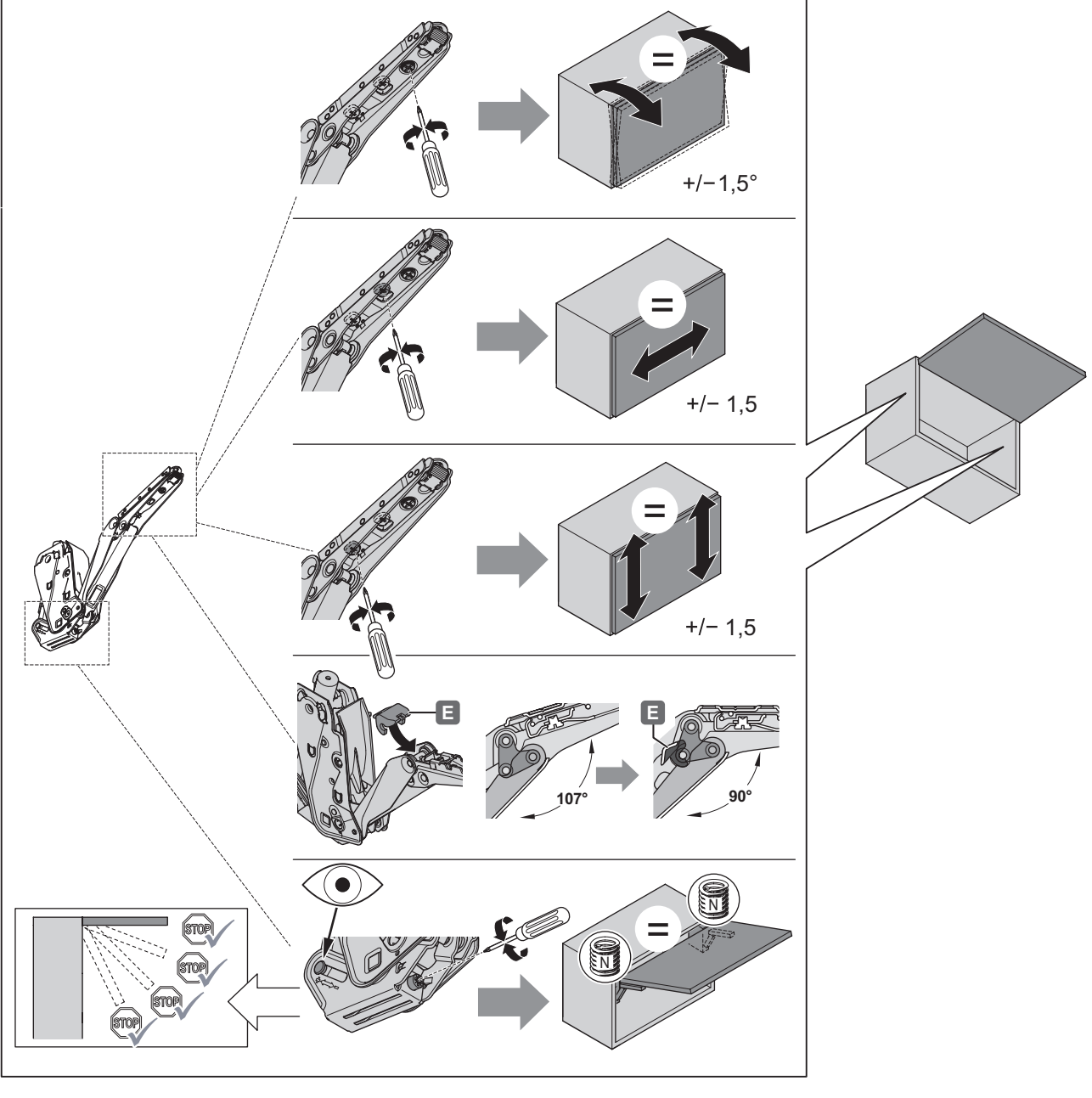
5



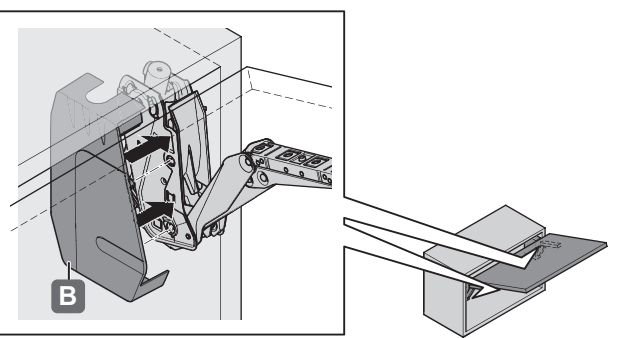
6



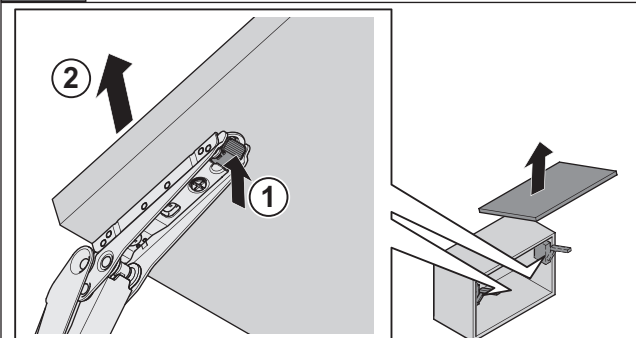
PZ 2



7



i



732.23.011

12.0001.010.378.0000.00

HDE 19.12.2012