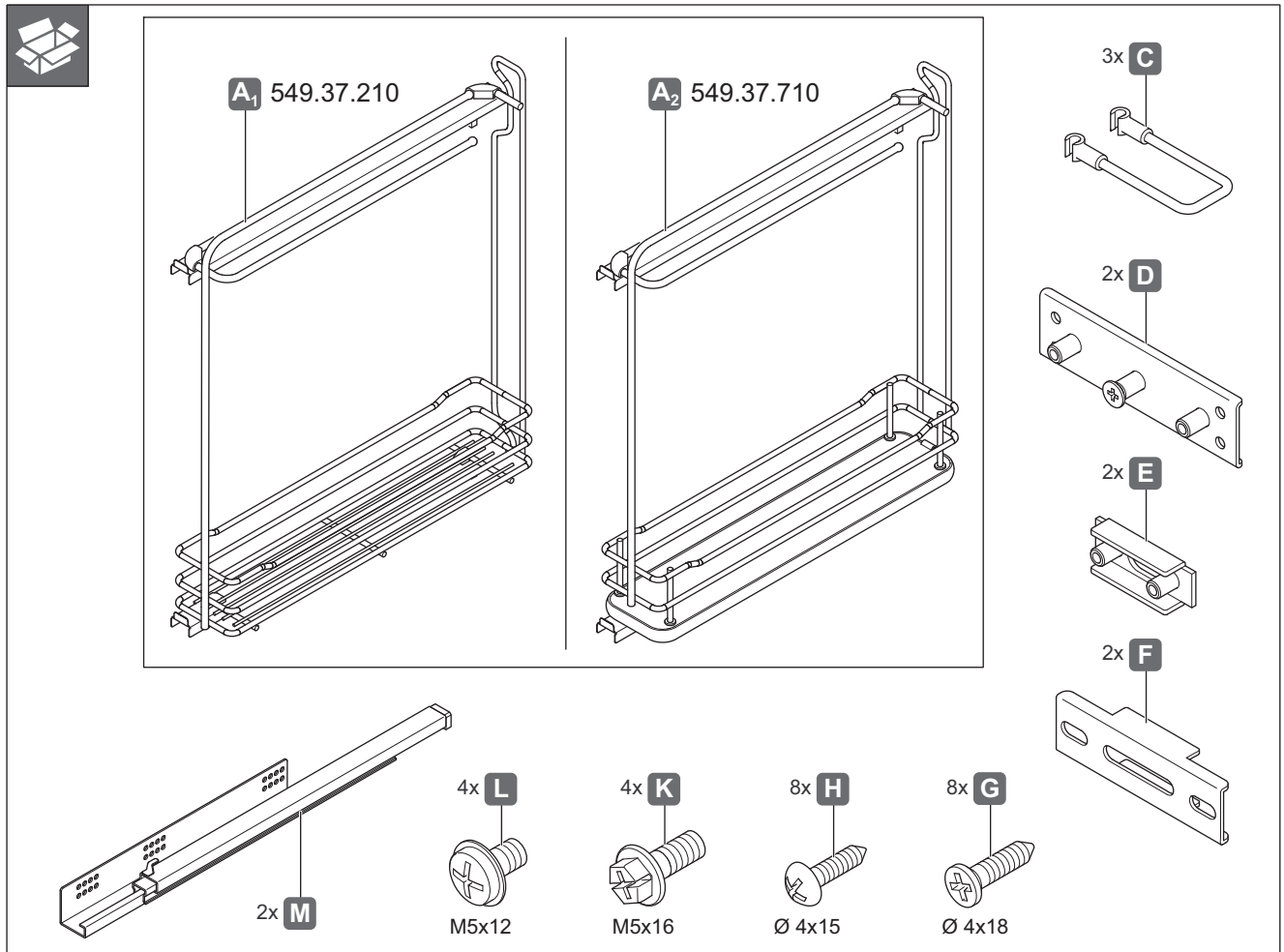
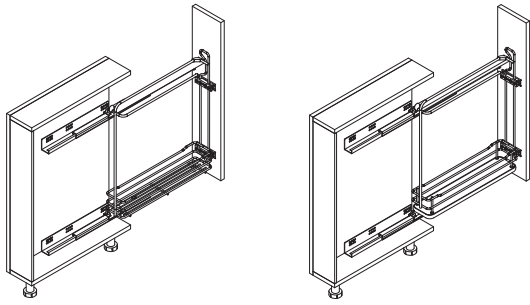
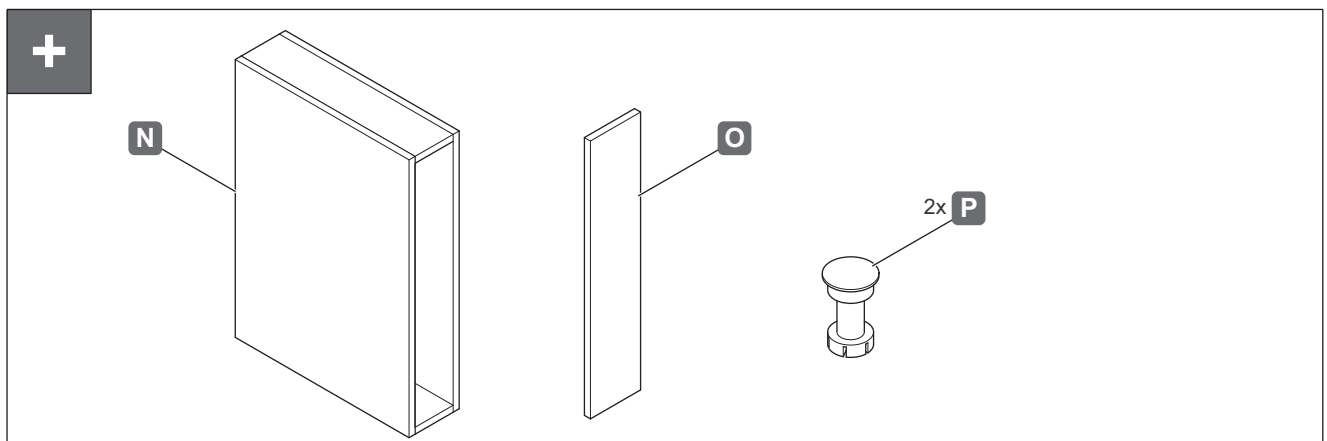




549.37.210
549.37.310
549.37.710



732.25.122

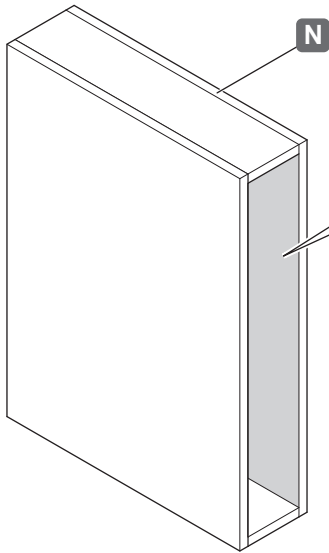


HDE 03.11.2020

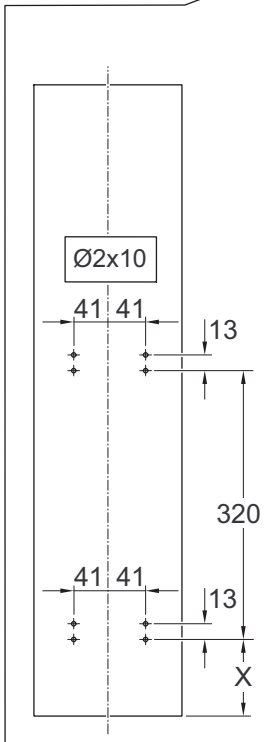
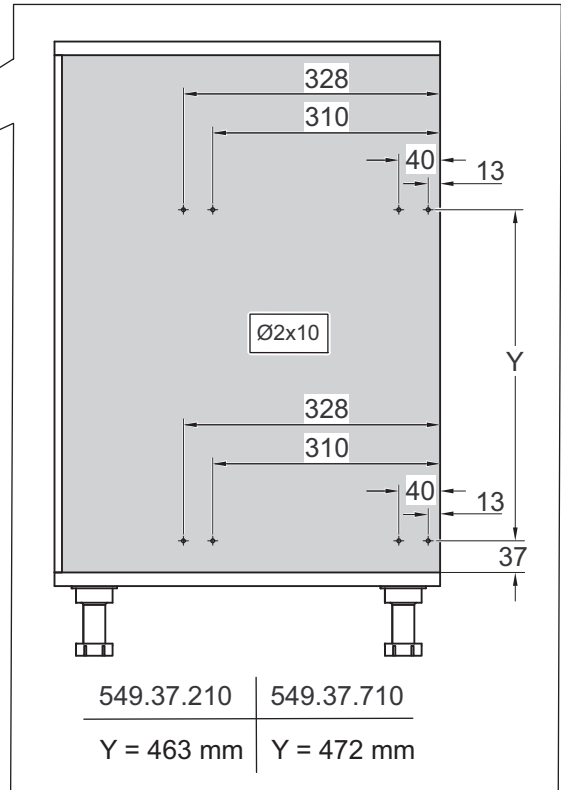
i



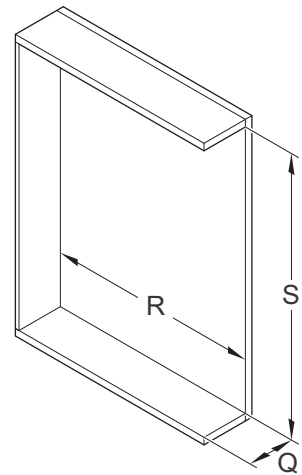
mm



O



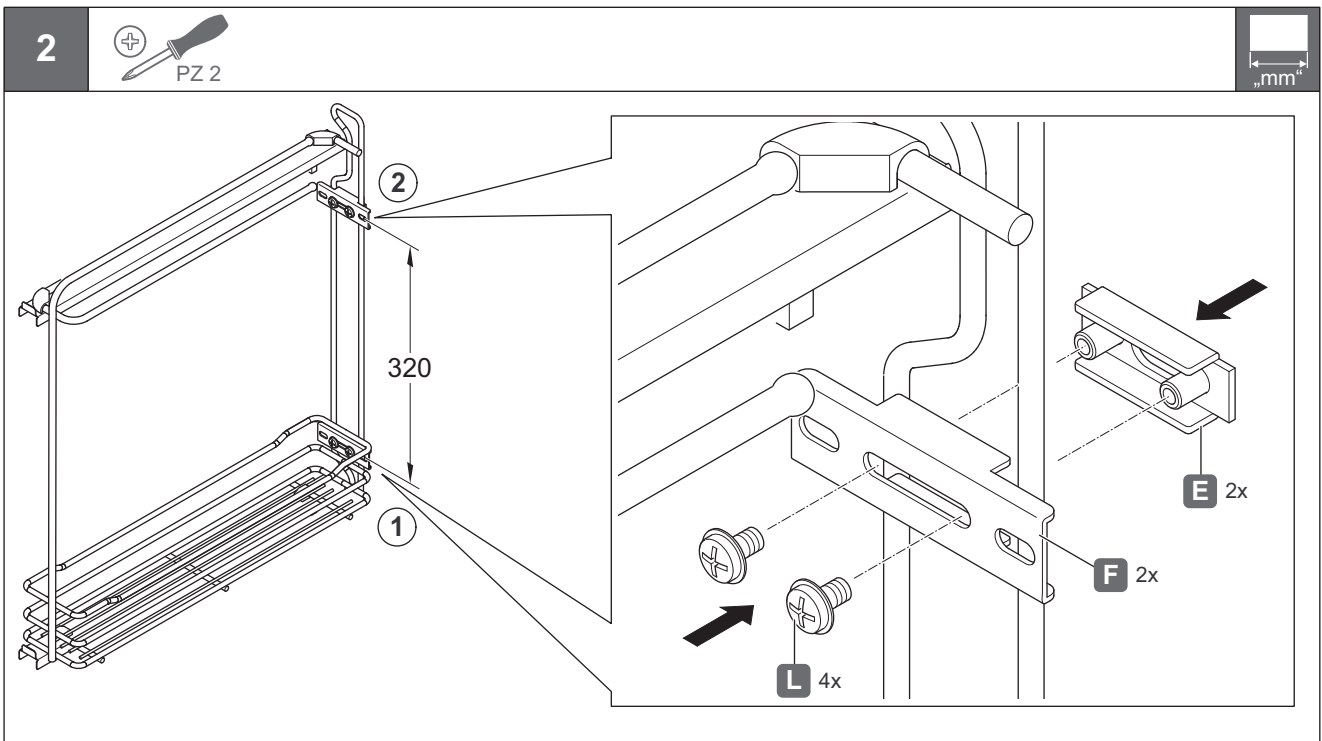
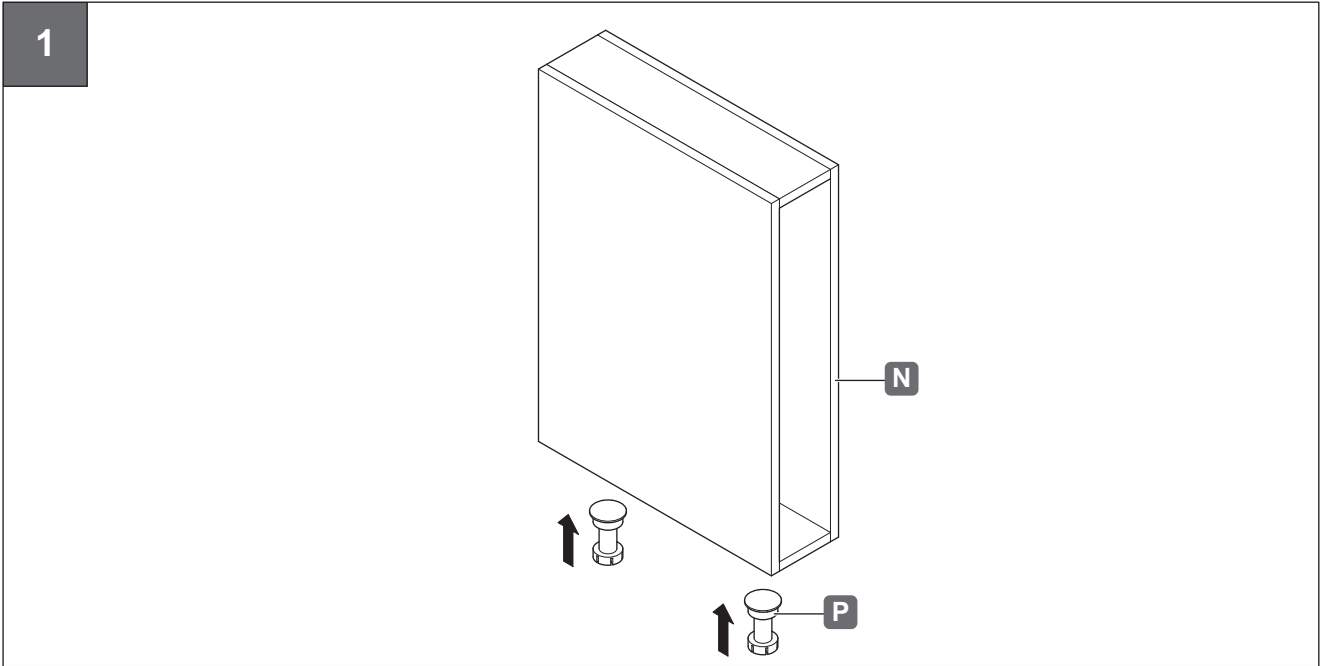
Q	min. 114 mm
R	min. 515 mm
S	min. 600 mm



mm	549.37.210	549.37.710
16	X = 96 mm	X = 105 mm
18	X = 98 mm	X = 107 mm

732.25.122

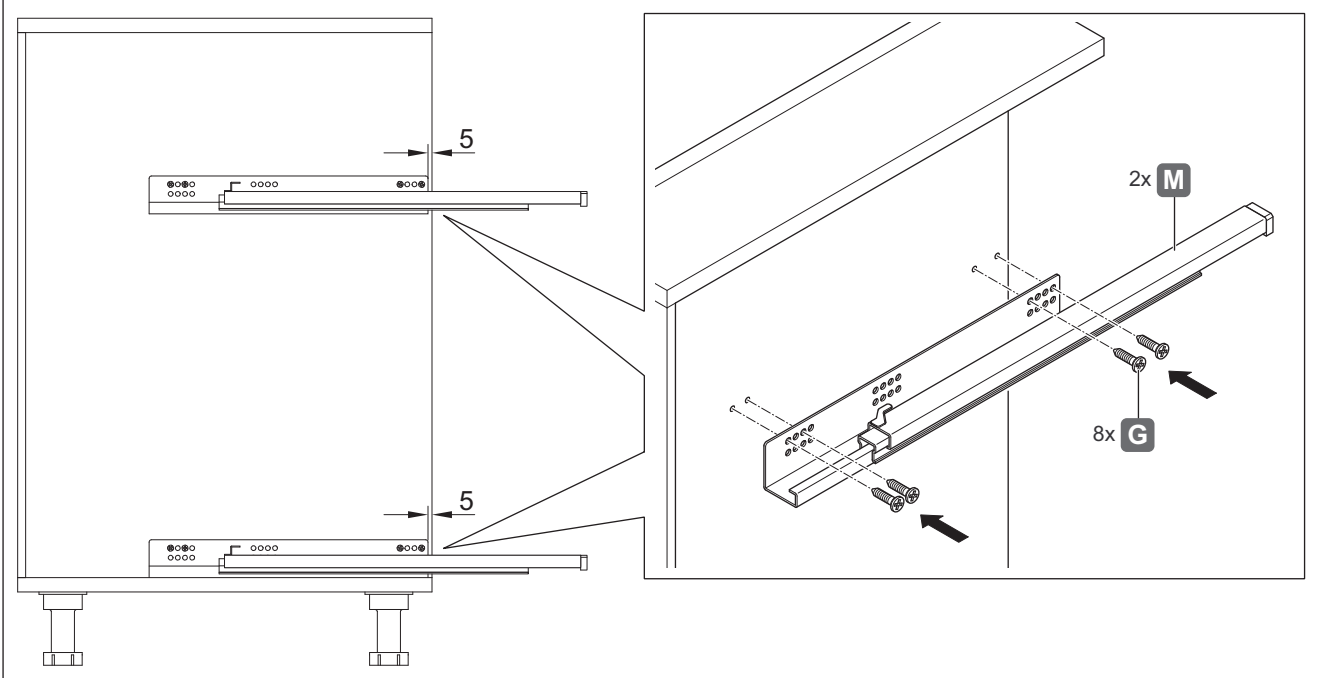
HDE 03.11.2020



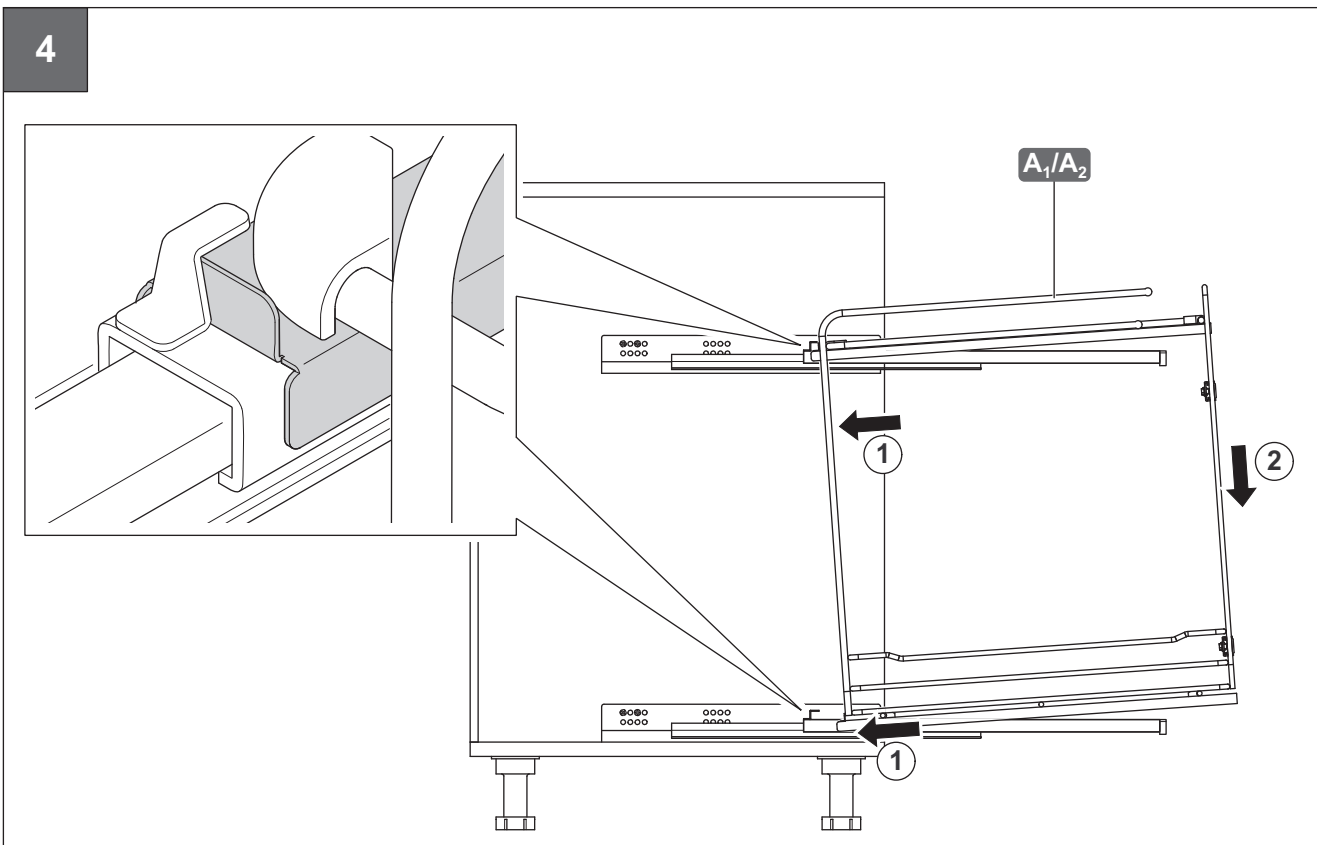
732.25.122

HDE 03.11.2020

3



4



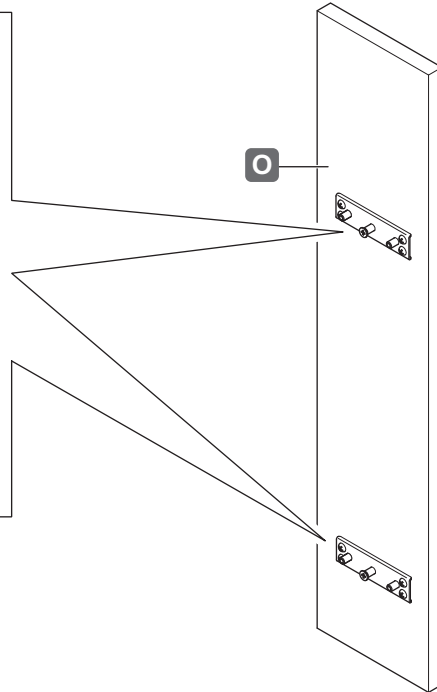
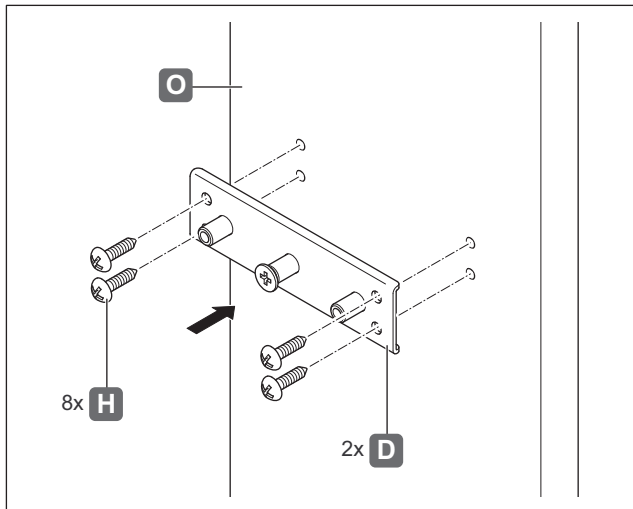
732.25.122

HDE 03.11.2020

5



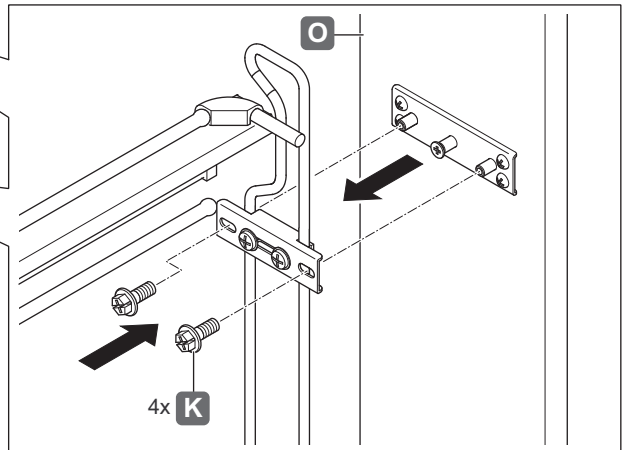
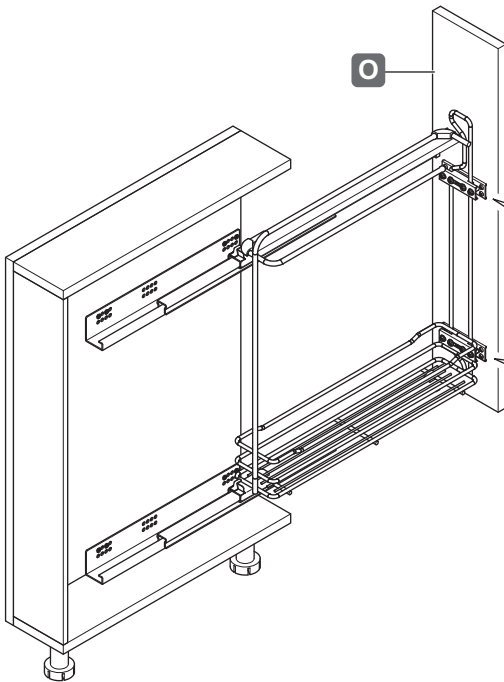
PZ 2



6



PZ 2

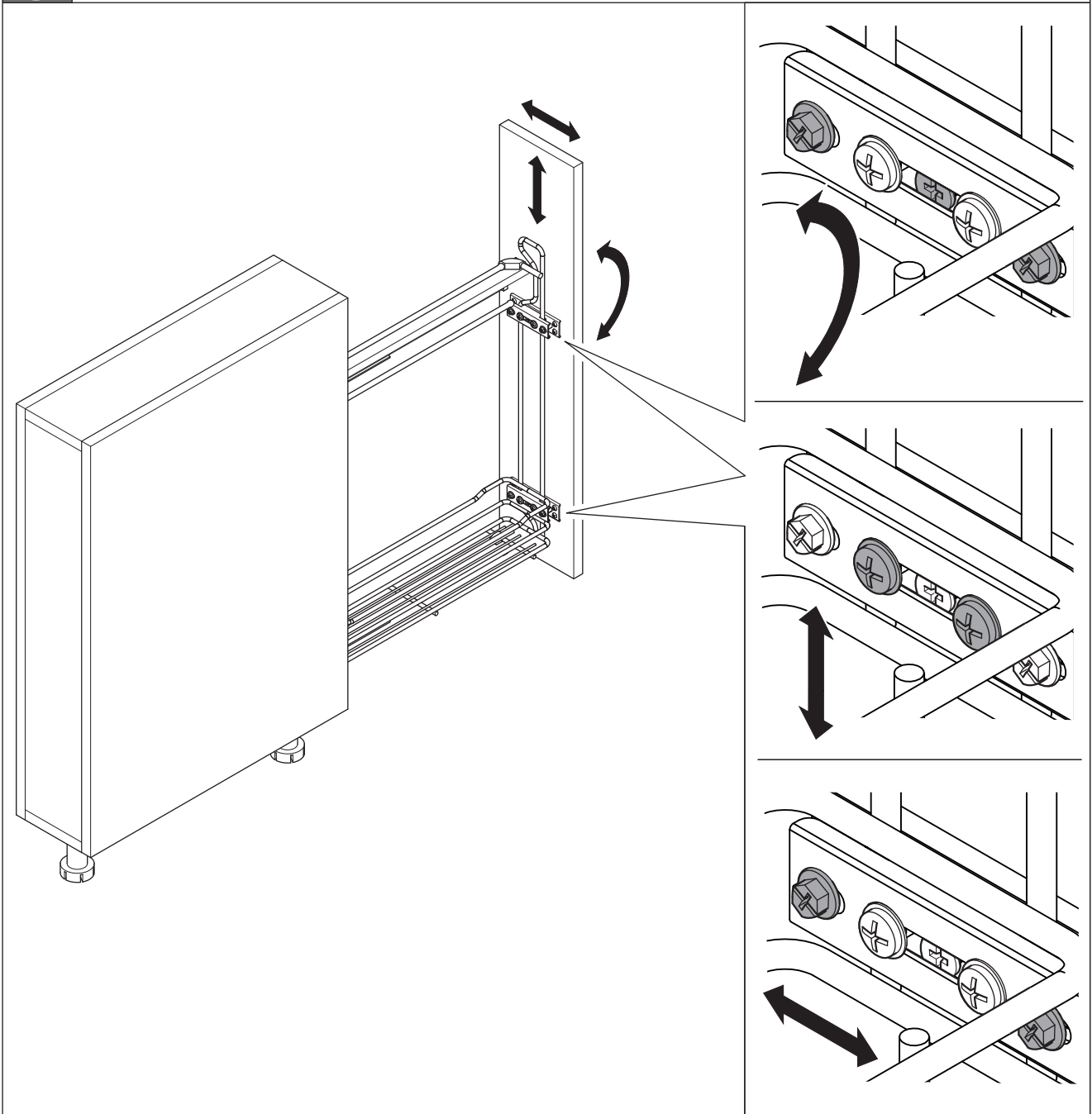


732.25.122

HDE 03.11.2020



PZ 2



732.25.122

732.25.122

HDE 03.11.2020

