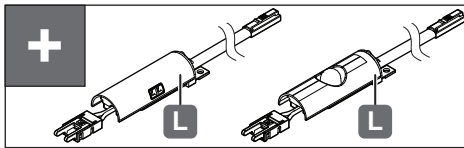
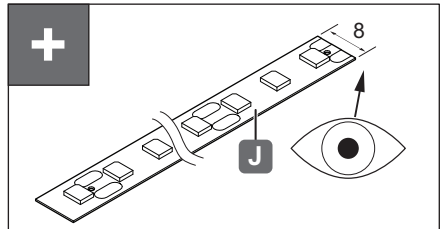
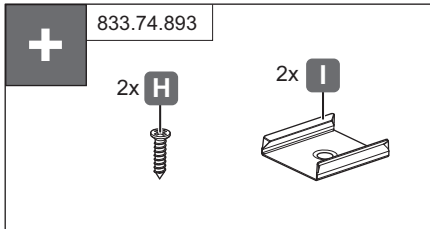
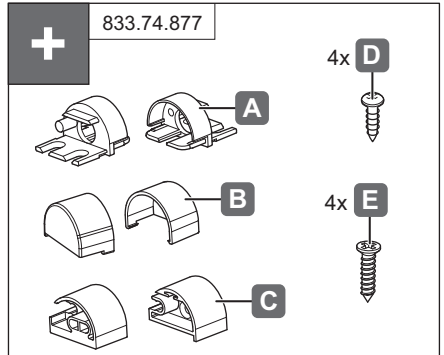
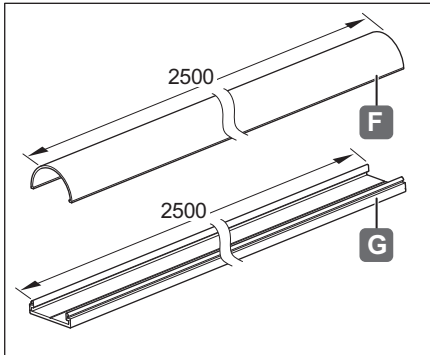


833.74.835 833.89.251
 833.74.877 833.89.252
 833.74.893 833.89.253
 833.89.254



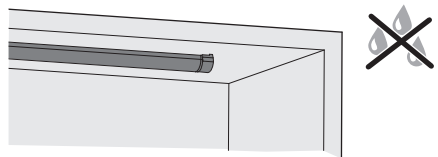
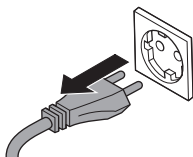
7.32.28.499



	12 V System	24 V System
PIR	833.89.251	833.89.253
IR Door	833.89.252	833.89.254



100 - 240 V~

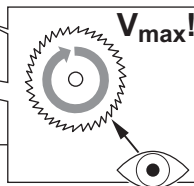
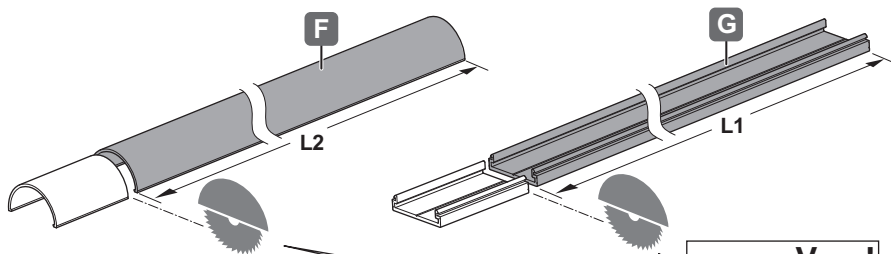


HDE 15.06.2020

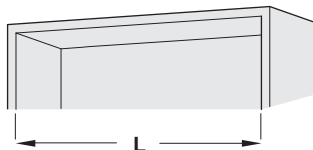
1



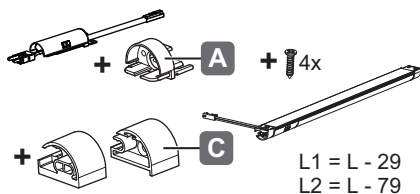
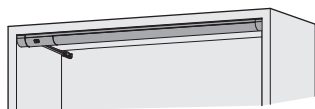
„mm“



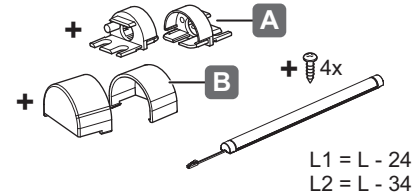
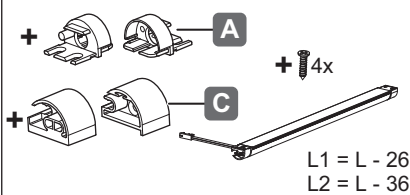
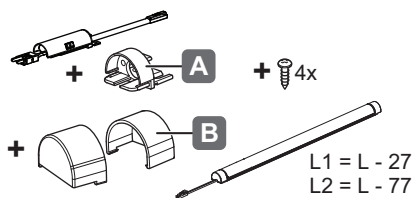
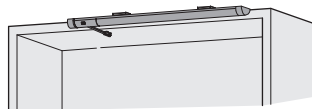
i



A

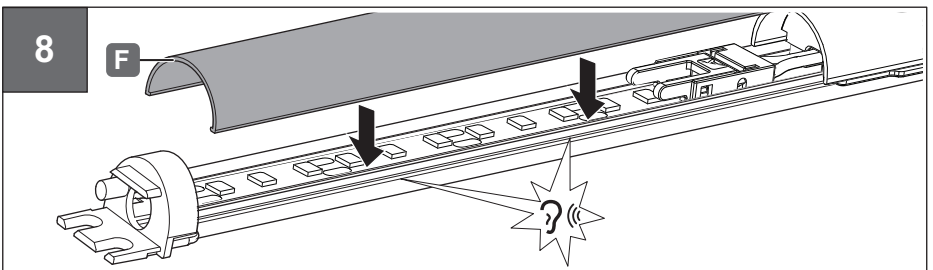
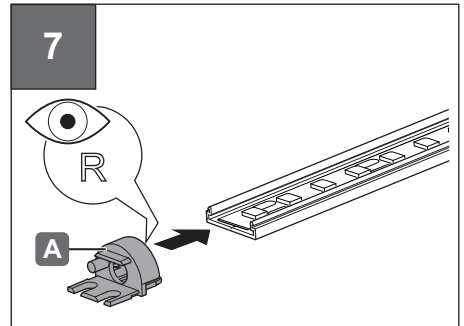
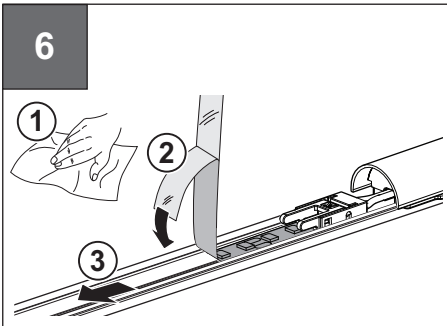
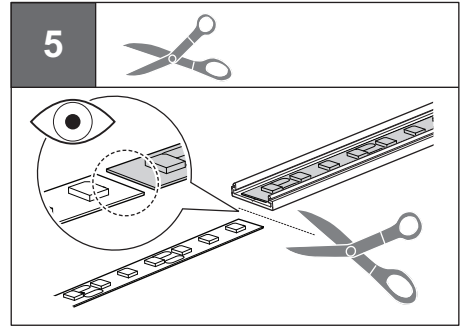
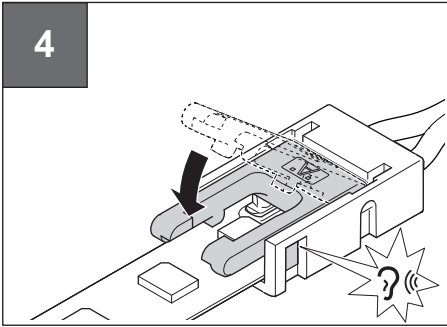
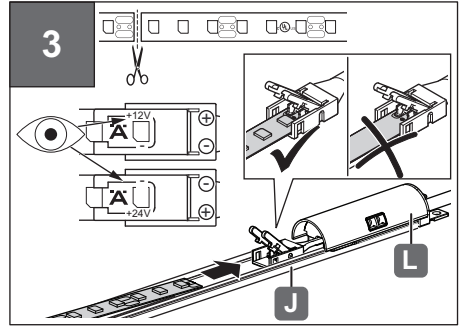
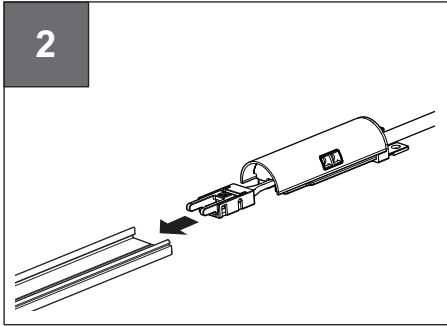


B



732.28.499

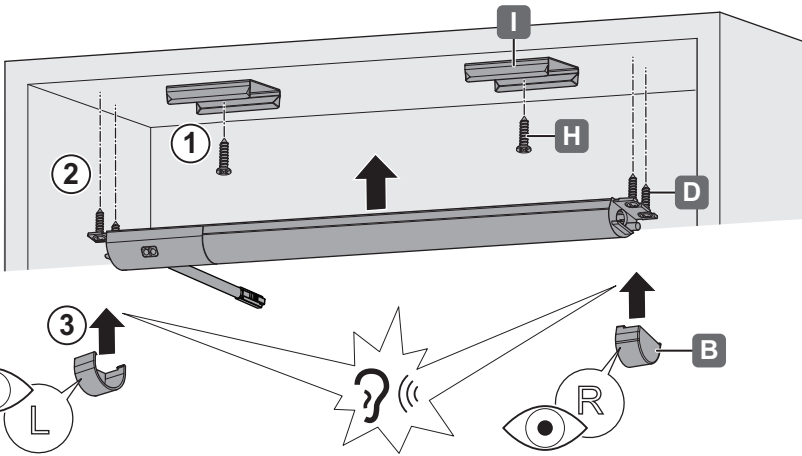
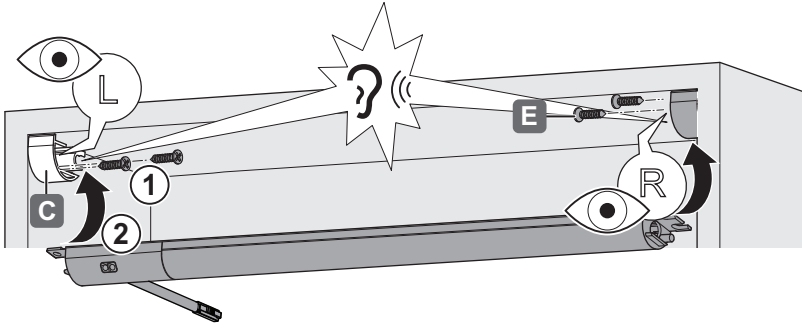
HDE 15.06.2020



7.32.28.499

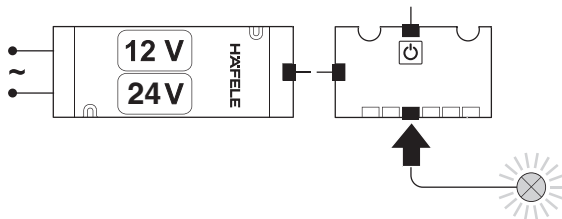
HDE 15.06.2020

9



732.28.499

10



HDE 15.06.2020