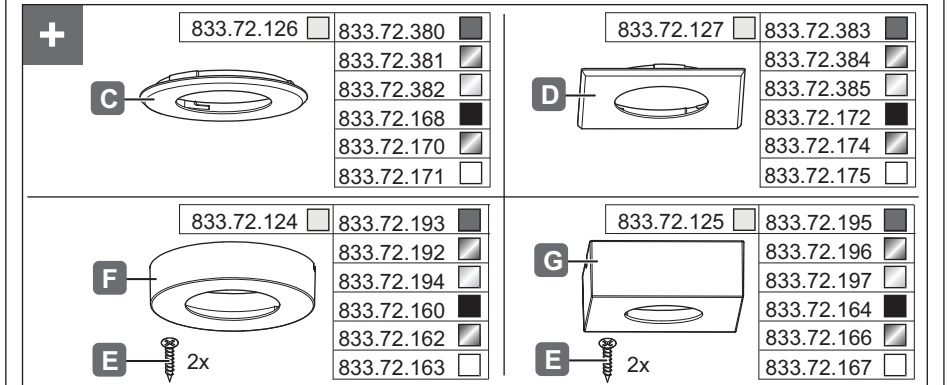
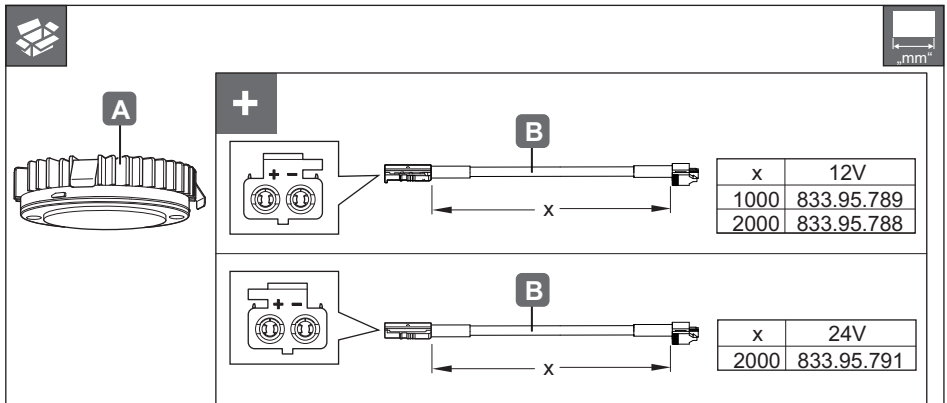


LED 2086 LED 2092  
LED 3086 LED 3092

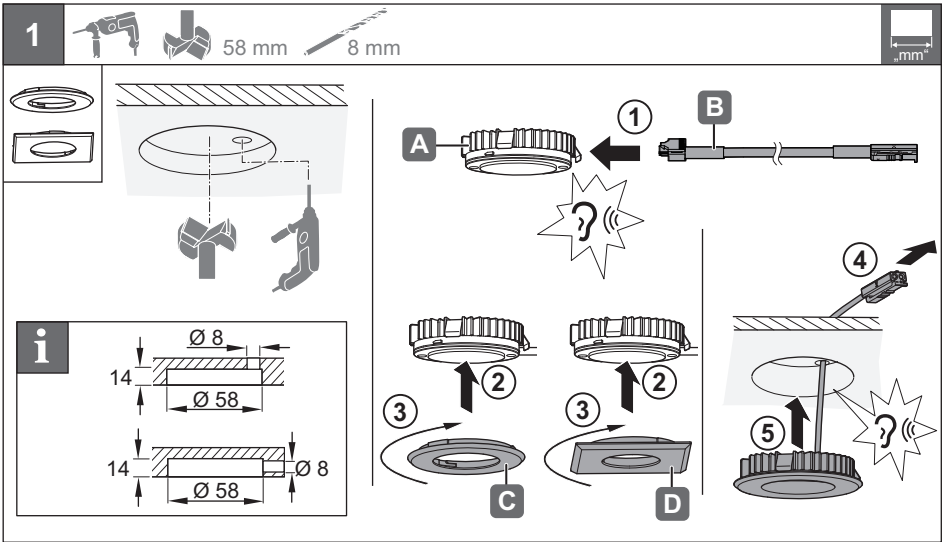
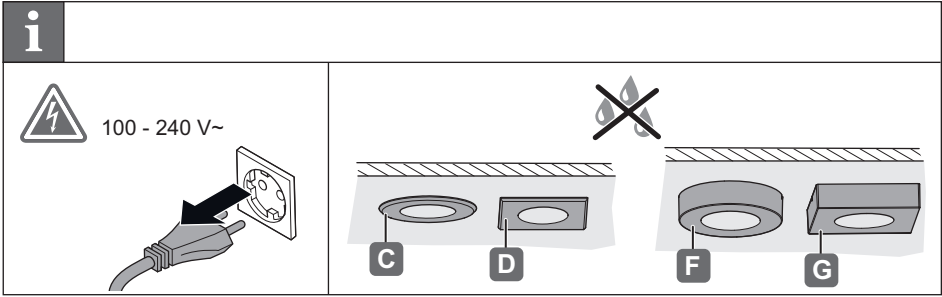
833.72.450	833.72.474	833.75.174
833.72.451	833.72.475	833.75.175
	833.72.476	833.75.176
	833.72.477	833.75.177

12 V System	24 V System	<b>K</b>	<b>W</b>	mm	<b>T<sub>A</sub></b>	
833.72.474		2700 K	3.4 W	Ø 61.2 x 15.6	-20 °C – +45 °C -4 °F – +113 °F	Loox <b>12 V</b>
833.72.475		3000 K				
833.72.476		4000 K				
833.72.477		5000 K				
833.72.450		2700-5000 K				
833.75.174		2700 K				Loox <b>24 V</b>
833.75.175		3000 K				
833.75.176		4000 K				
833.75.177		5000 K				
833.72.451		2700-5000 K				

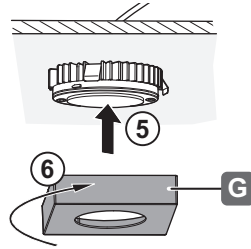
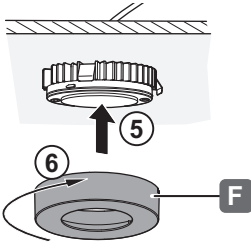
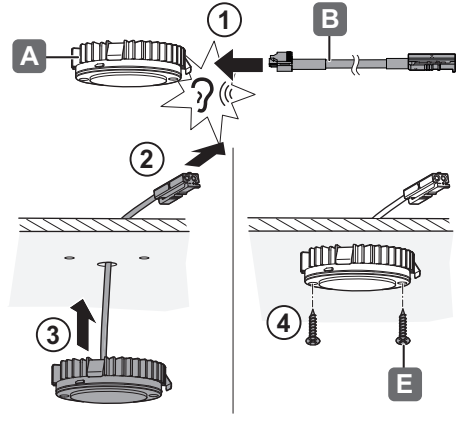
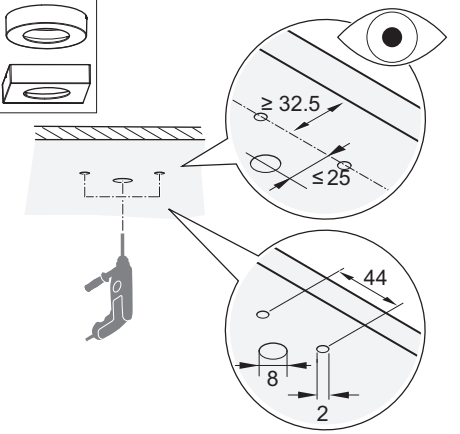
732.28.329



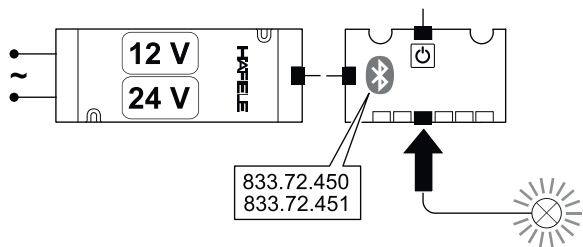
HDE 04.02.2021



1



2



732.28.329

HDE 04.02.2021

732.28.329

HDE 04.02.2021