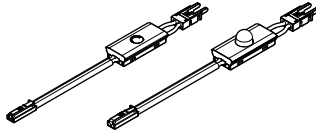




Inline-switch



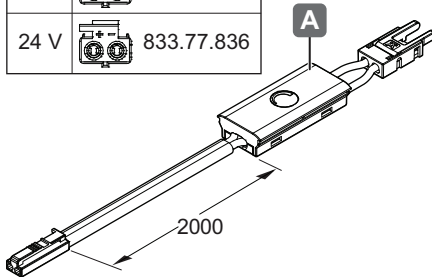
833.77.835
833.77.836
833.95.750
833.95.751

7.32.28.421

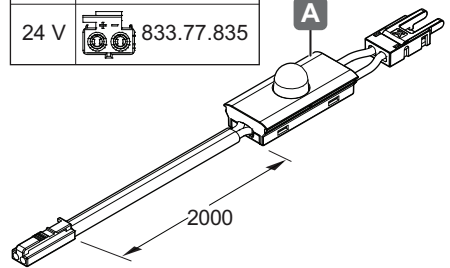
			d (mm)	W	T_A		
833.95.750			0 – 3000	0 W – 60 W	-20°C – +30°C -4°F – +86°F		36 x 16.8 x 15.4
833.95.751			0 – 3000				
833.77.835			0 – 3000	0 W – 90 W			36 x 16.8 x 15.4
833.77.836			0 – 3000				



12 V		833.95.751
24 V		833.77.836



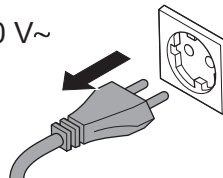
12 V		833.95.750
24 V		833.77.835



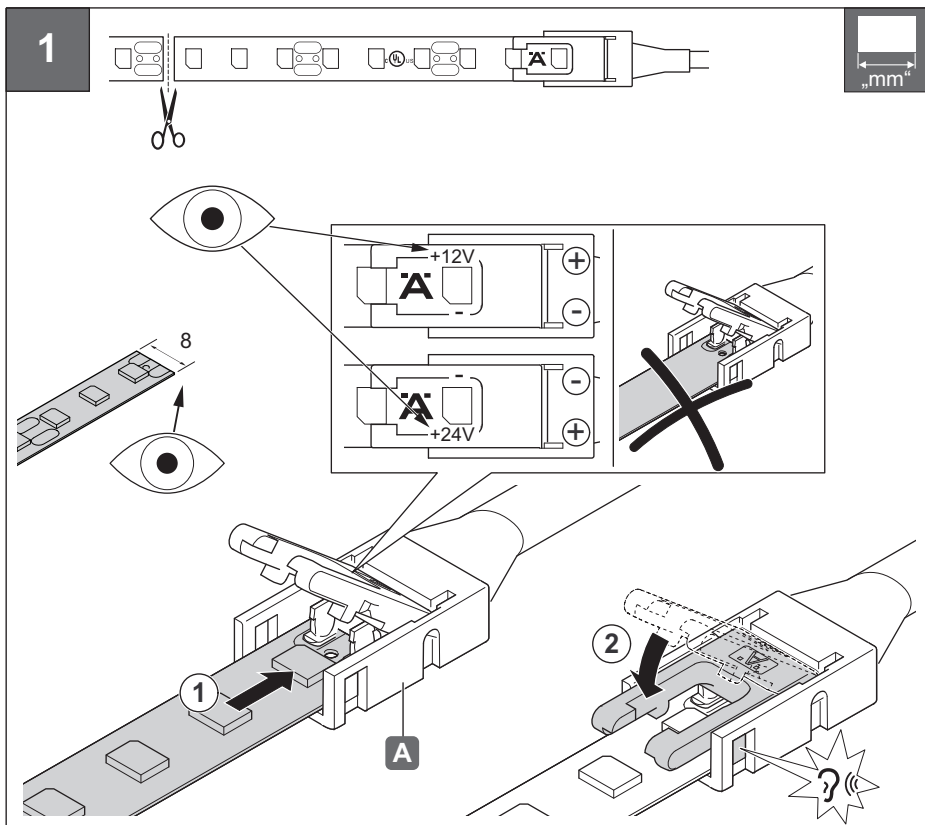
i



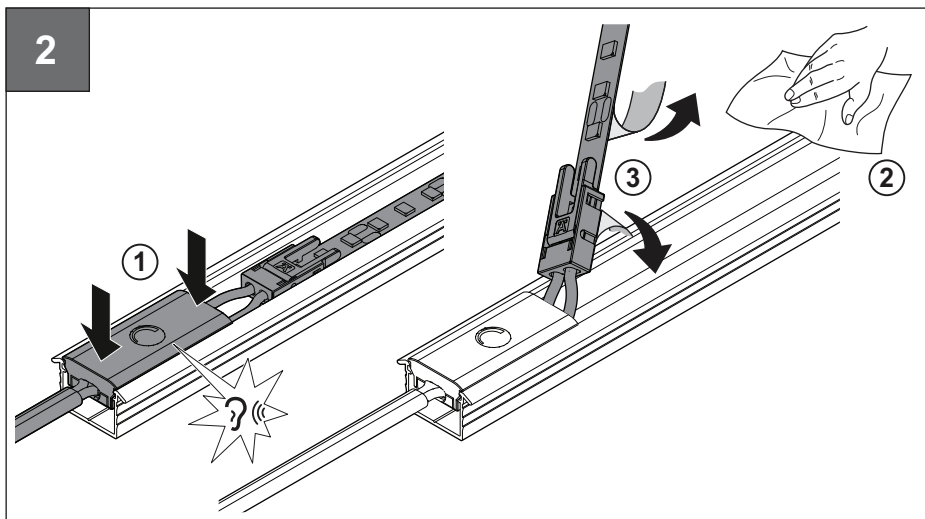
100 - 240 V~



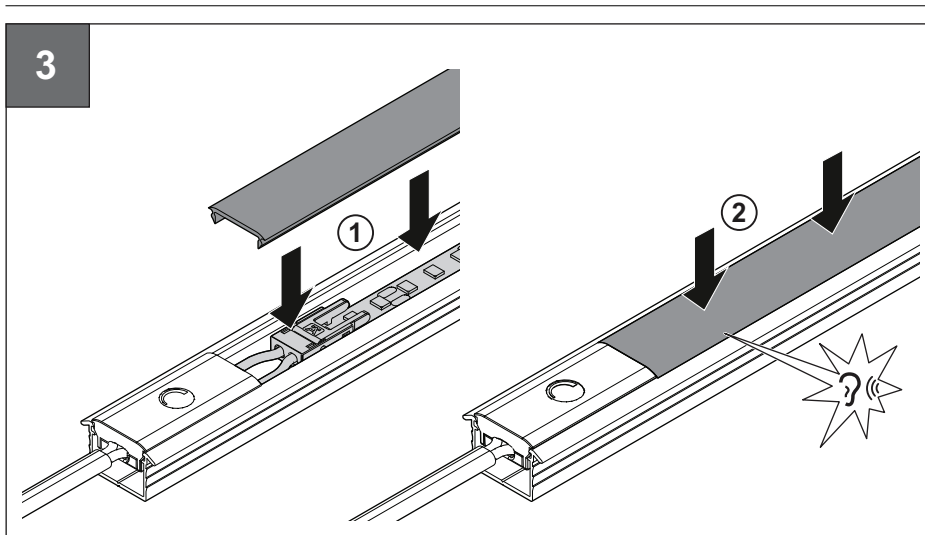
HDE 03.05.2019



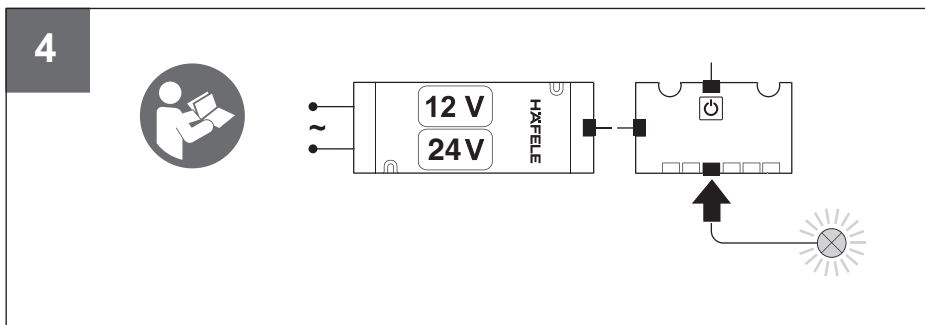
732.28.421



HDE 03.05.2019



732.28.421



HDE 03.05.2019