



**Air**

***SALICE***



## Air - the truly concealed hinge



Air is an innovative and revolutionary hinge which, despite its compactness and small size, delivers full functionality to furniture manufacturers.

The hinge is fully adjustable in three directions and also incorporates an integrated soft close mechanism for decelerated closing or the Push self-opening system for handle-less doors.

Air is inserted into the top and bottom of the cabinet and the door and is practically invisible.

Its small size means that the applications for Air are numerous: kitchens, bathrooms, living- and bedroom furniture or display cabinets.

A masterpiece of compactness in design, imperceptible and unseen just like air: Air is the new fusion of technology and aesthetics.



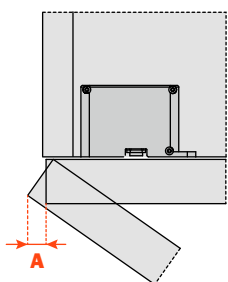


## Technical features

**Air hinges, with integrated soft close mechanism or Push self-opening system, are small and compact. They are fitted to the top and bottom panel of the cabinet.**

For min. 18 mm thick wooden doors and for aluminium-framed doors.  
 Max. door weight 20 Kg.  
 Max. dimensions of the door : height 2100 mm, width 600 mm.  
 16.5 mm deep metal cup.  
 L = 2.5 mm  
 105° opening.  
 Possible drilling distance on the door (K): from 3 to 6 mm for wooden doors.  
 Fixed K = 4 mm for aluminium-framed doors (DEL6LP300\_).

## Space needed to open the door

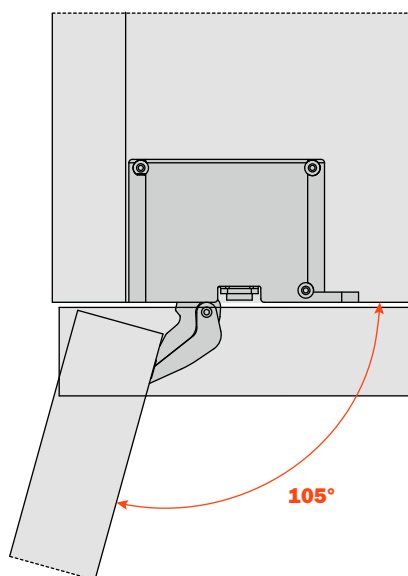
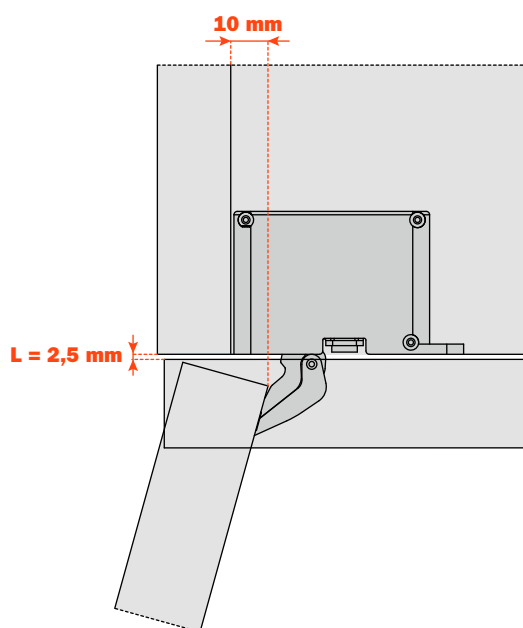


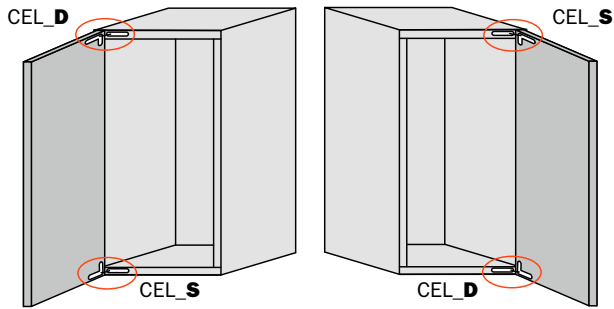
	T=	18	20	22	24	26	28	30	32
K=3	<b>A=</b>	0	0.2	0.5	0.8	2.3	4.9	7.5	10.0
K=4	<b>A=</b>	0	0.2	0.4	0.8	1.3	3.9	6.5	9.0
K=5	<b>A=</b>	0	0.2	0.4	0.8	1.3	2.9	5.5	8.0
K=6	<b>A=</b>	0	0.2	0.4	0.8	1.2	1.9	4.5	7.0

**The above values are calculated on the assumption that the doors have square edges. They are reduced if the doors have radiussed edges.**

## Projection of the door

Projection of the door from the cabinet side at the max. opening.  
 The figures are based on K value = 3 and door overlay = 19 mm.





**INDUSTRIAL PACKING**

Closing/Opening action	Nickel-plated finish	Titanium finish	Industrial packing
Soft close	<b>CEL6DE9XXI</b>	<b>CEL6DE6XXI</b>	Boxes 100 pcs. Pallets 1.200 pcs. · Fixing screws included
Push	<b>CELPD99XXI</b>	<b>CELPD66XXI</b>	

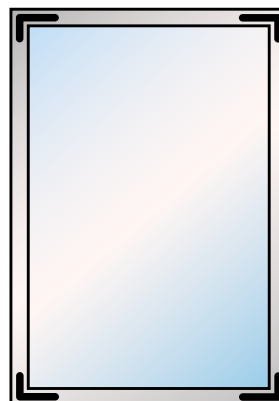
Closing/Opening action	Nickel-plated finish	Titanium finish	Industrial packing
Soft close	<b>CEL6SE9XXI</b>	<b>CEL6SE6XXI</b>	Boxes 100 pcs. Pallets 1.200 pcs. · Fixing screws included
Push	<b>CELPS99XXI</b>	<b>CELPS66XXI</b>	

**PACKING FOR RETAIL**

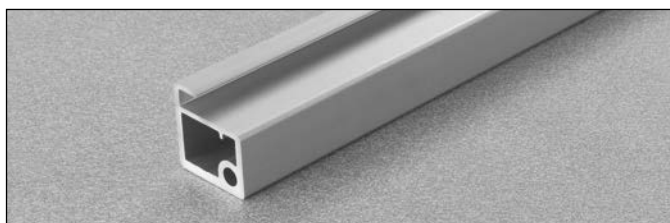
Closing/Opening action	Nickel-plated finish	Titanium finish	Packing for Retail
Soft close	<b>CEL6XE9XXV</b>	<b>CEL6XE6XXV</b>	Box 12 bags Large boxes 72 bags Pallets 864 bags · 1 bag contains 1door-set of hinges and fixing screws
Push	<b>CELPX99XXV</b>	<b>CELPX66XXV</b>	



Corner connectors for the frame assembly of the doors and the fixing of the hinge.



Part number	Packing
<b>DEL6BSFV02</b>	Boxes 25 bags 1 bag contains: 4 corner connectors and assembly screws



Aluminium frame for glass insertion (4 mm)

Part number	Packing	Length
<b>DEL6LP300P</b>	12 nickel-plated frames	3 metres
<b>DEL6LP300T</b>	12 titanium frames	3 metres

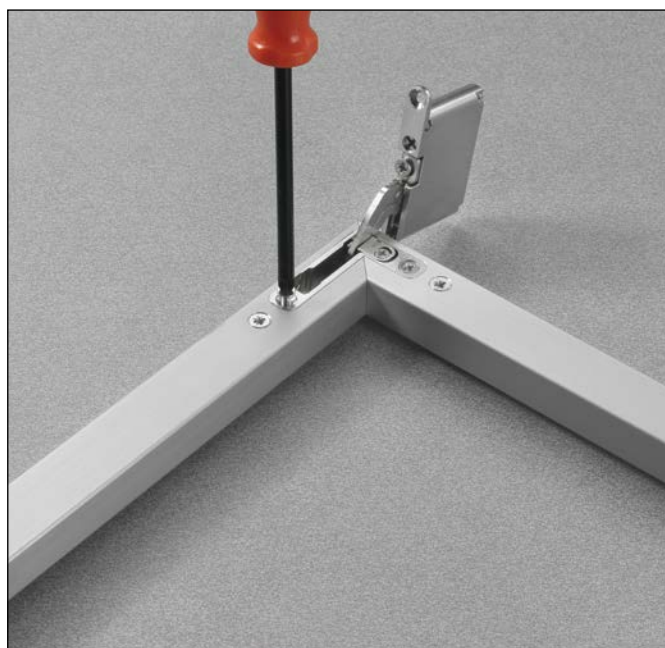
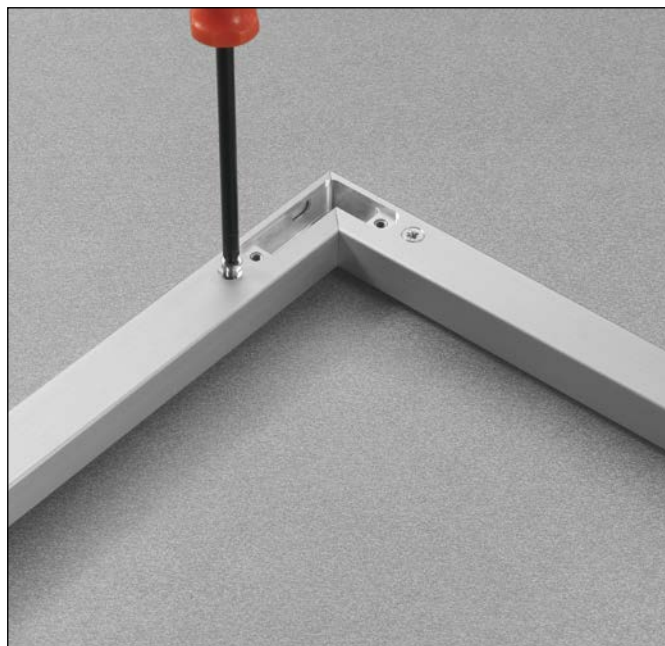
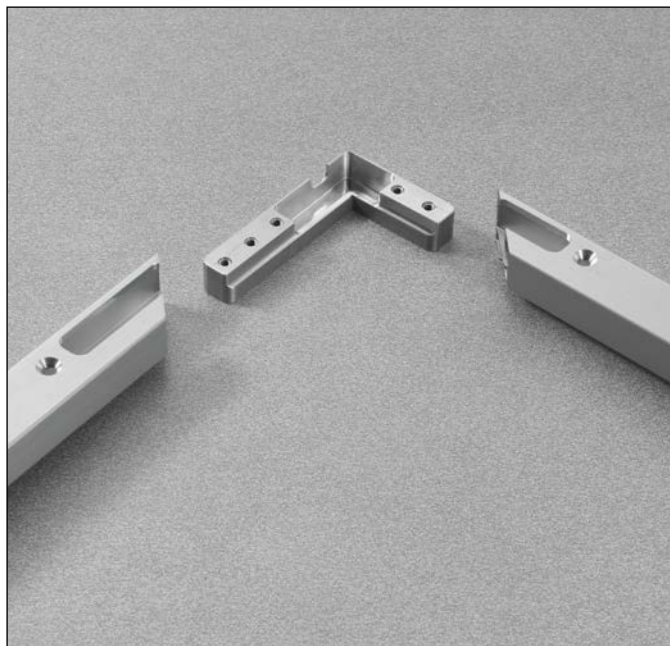


Gasket for glass.

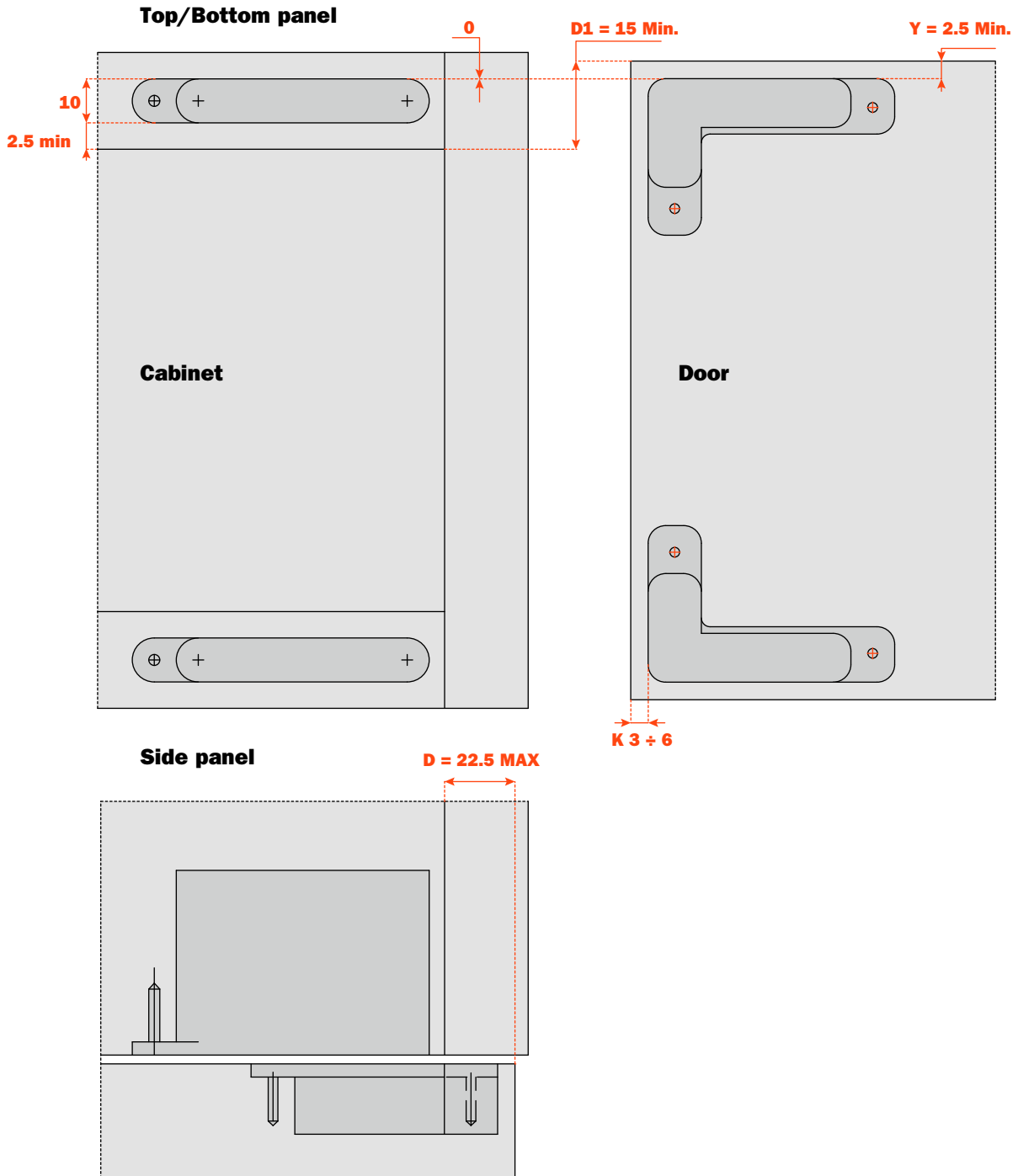
Part number	Packing	Length
<b>D206AG3000</b>	120 gaskets	3 metres

## Aluminium frame assembly

The profiles which make up the door are cut to length and the ends mitred at 45°, and already milled with the slot for the insertion of the hinge.



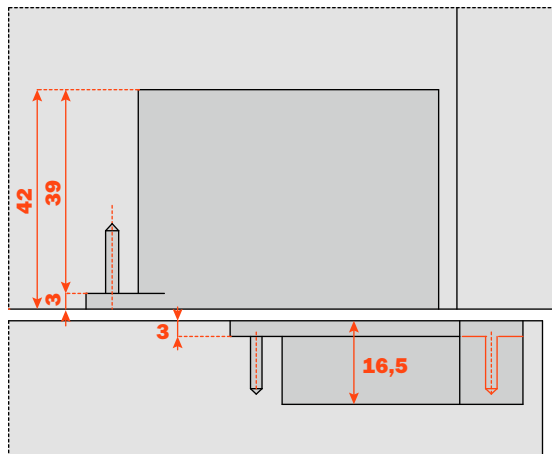
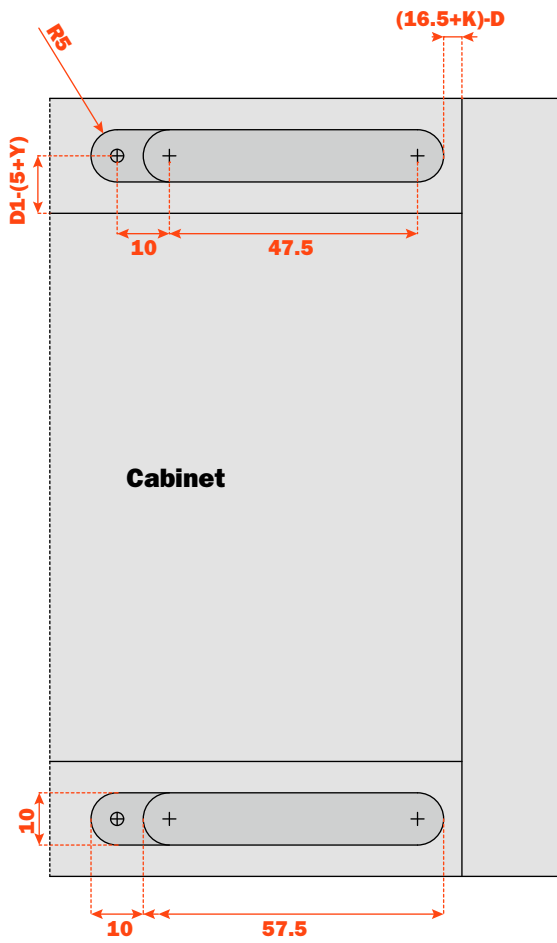
**Overlays**



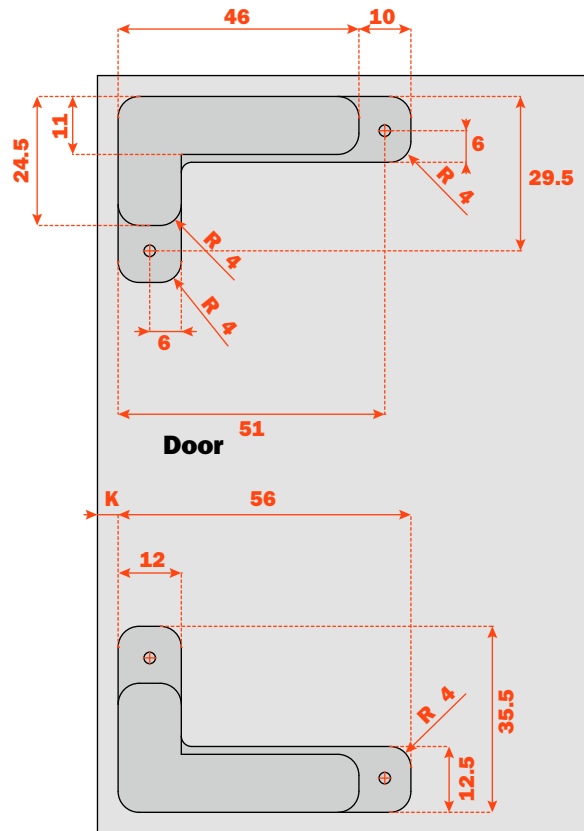


## Workings for the application of the hinge

Workings on the top and the bottom panel for the application of the hinge.

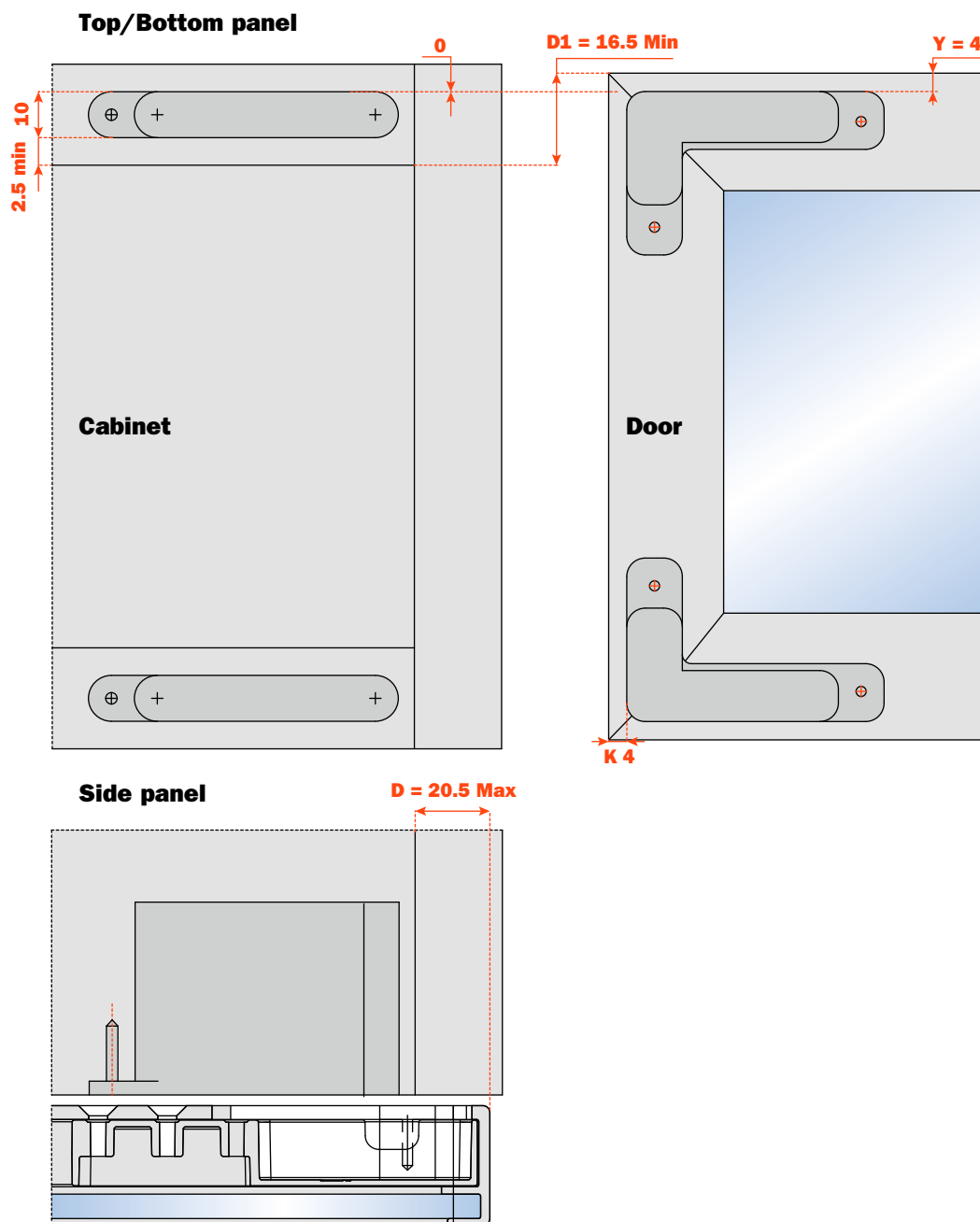


Workings on the door for the application of the hinge.



Workings on the frame DEL6LP300\_ and use of the corner connectors DEL6BSFV02.

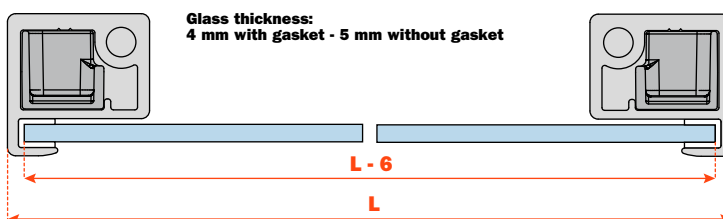
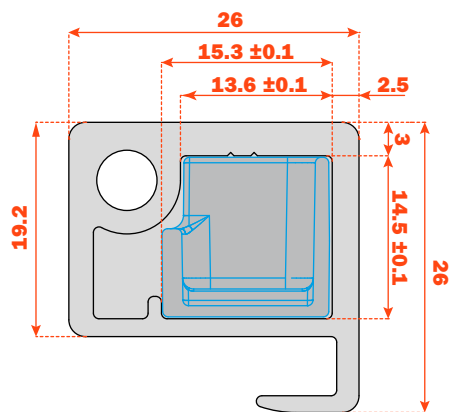
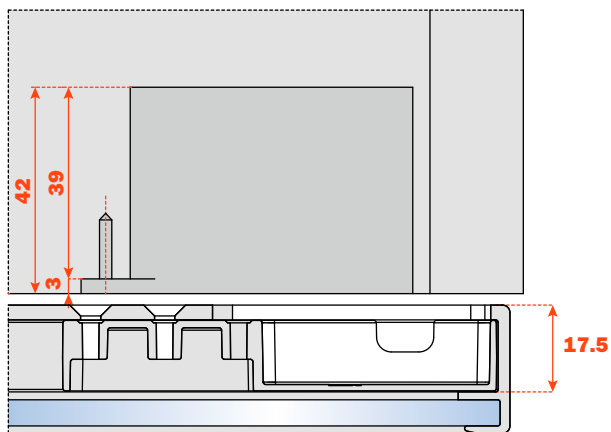
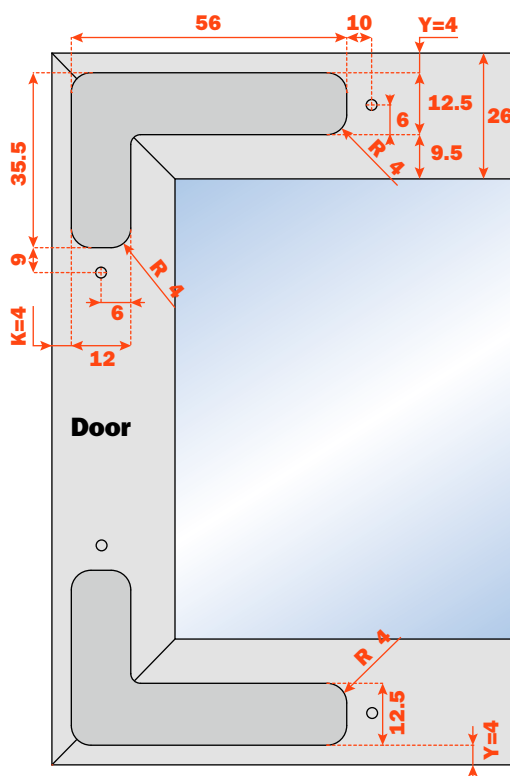
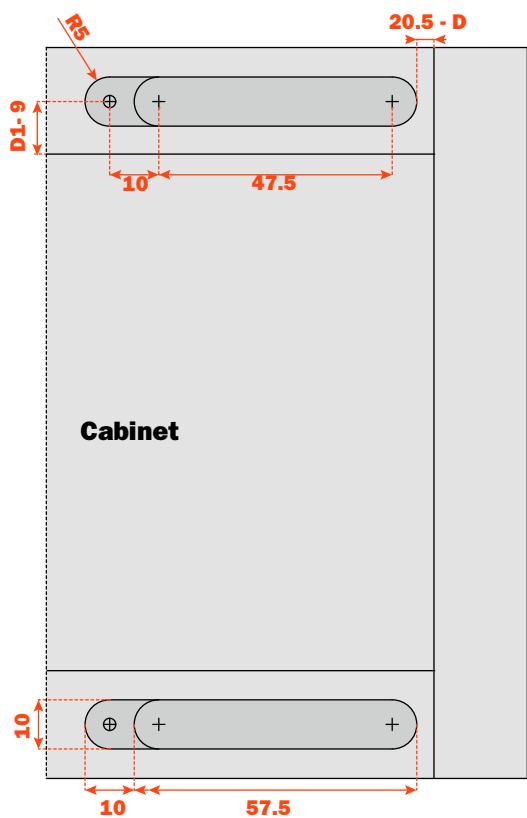
## Overlays



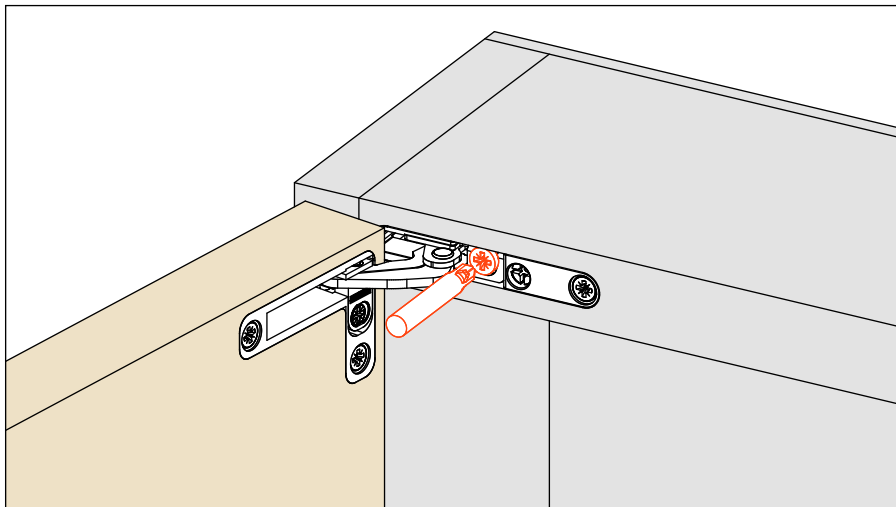
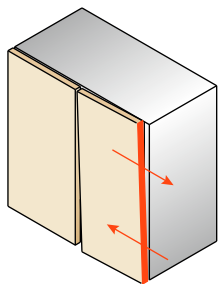
## Workings for the application of the hinge

Workings on the top and the bottom panel for the application of the hinge, right side.

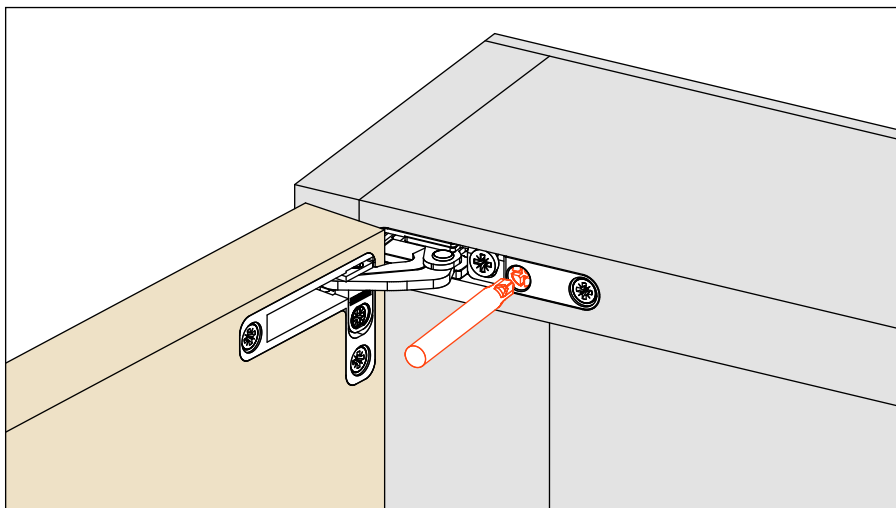
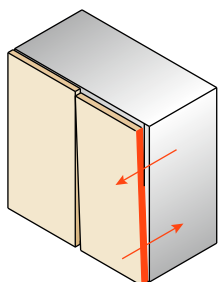
Milling scheme for aluminium-framed doors DEL6LP300\_



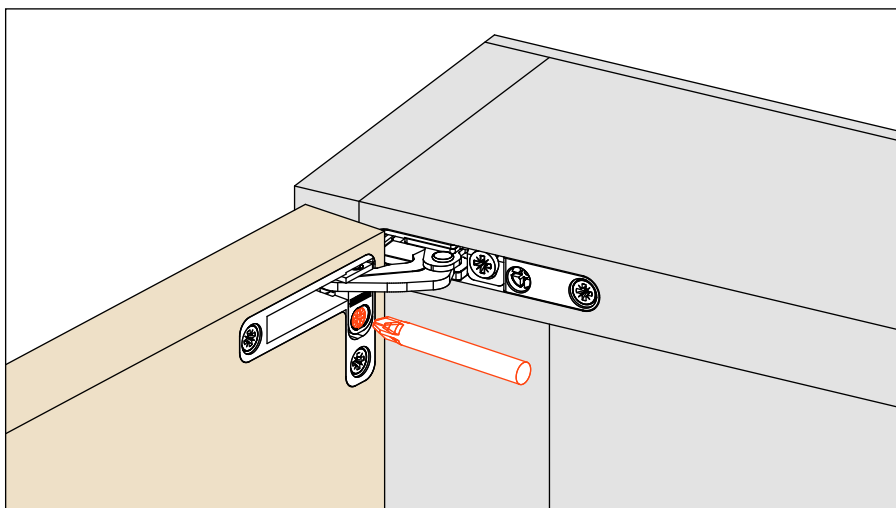
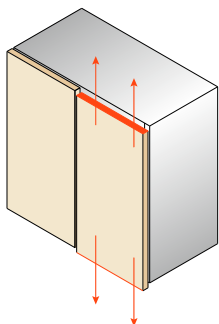
**Sideways adjustment from +2 to -2**



**Depth adjustment from +2 to -0.5**



**Height adjustment from +1.5 to -1.5**



## Magnetic Push



## Magnetic Push - Release device to be recessed and retaining catches

**DPMSNB** - beige



**DPMSNG** - grey



Release device.  
ø 10 mm, 40 mm length.

**Packing**

Boxes 250 pcs.  
Cartons 1.500 pcs.

**DPASNB** - beige



**DPASNG** - grey



Release device to be used to increase the magnetic holding strength. It must always be used together with the DPM. The suggested position of the DPM is the point of pressure on the door. The DPA can be positioned at any point along the opening edge of the door.  
ø 10 mm, 40 mm length.

**Packing**

Boxes 250 pcs.  
Cartons 1.500 pcs.

**DP39XXG**



Adjustable magnetic retaining catch.  
ø16.6 mm

**Packing**

Boxes 250 pcs.

**DP28SN9**



Retaining catch to be inserted.  
ø 11.5 mm.

**Packing**

Boxes 250 pcs.

**DP38XX91**



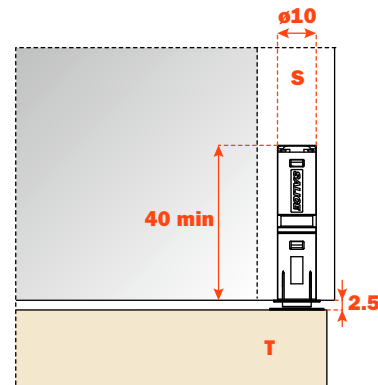
Retaining catch with adhesive.  
20x14 mm.

**Packing**

Boxes 250 pcs.

**Application of the release device to be recessed**

Drill a hole  $\varnothing$  10 mm and min. 40 mm depth in the top, the side or the base panel of the cabinet.  
 Insert the release device into the hole.

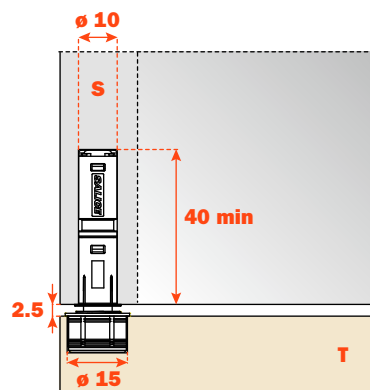


**Adjustable retaining catch to be inserted**

The retaining catch DP39 is itself magnetic and together with the magnetism of the release device DPM considerably increase (30%) the holding strength of the door against the cabinet side, thus avoiding accidental openings.

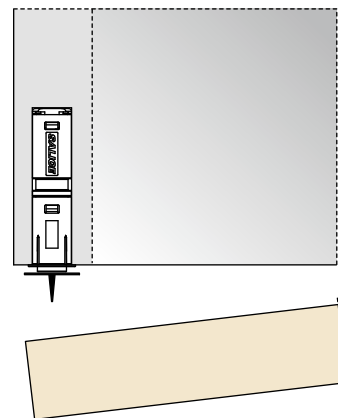
For the installation it is necessary to drill a hole  $\varnothing$ 15 mm and 11 mm depth in the door.

Depth adjustment from -0.5 mm to +2.5 mm.



**Retaining catch to be inserted**

Apply the retaining catch to the magnetic release device.  
 Close the door.  
 The point of the retaining catch will show where to insert it.  
 Reopen the door and press the retaining catch.



**Retaining catch with adhesive strip**

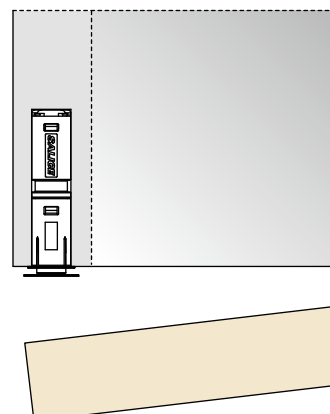
Apply the retaining catch to the magnetic release device. Remove the protective strip from the adhesive. Close the door. In this way the retaining catch is positioned on the door. Reopen the door and apply a firm pressure to the retaining catch to ensure a correct installation.

**ATTENTION:**

For a correct application and to ensure optimal endurance, we suggest these guidelines are followed:

- 1** - clean and degrease the door surface where the retaining catch is to be installed;
- 2** - remove the protective strip from the adhesive;
- 3** - place the retaining catch in position, in a place that is at room temperature  $\geq 10^\circ$  and apply a firm pressure for 10-15 seconds.

After few seconds from the installation the retaining catch is suitable for the use.  
 After 24h the max. hold is attained.



## **ARTURO SALICE S.p.A.**

VIA PROVINCIALE NOVEDRATESE, 10  
22060 NOVEDRATE (COMO) ITALIA  
TEL. 031 790424  
FAX 031 791508  
info.salice@salice.com  
www.salice.com

### **DEUTSCHE SALICE GMBH**

RUDOLF DIESEL STR. 10  
POSTFACH 1154  
74382 NECKARWESTHEIM  
TEL. 07133 9807-0  
FAX. 07133 9807-16  
info.salice@deutschesalice.de  
www.deutschesalice.de

### **SALICE UK LTD.**

KINGFISHER WAY  
HINCHINGBROOKE BUSINESS PARK  
HUNTINGDON CAMBS PE 29 6FN  
TEL. 01480 413831  
FAX. 01480 451489  
info.salice@saliceuk.co.uk  
www.saliceuk.co.uk

### **DEUTSCHE SALICE GMBH**

VERKAUFSBÜRO NORD  
RINGSTRASSE 36/A30 CENTER  
32584 LÖHNE  
TEL. 05731 15608-0  
FAX. 05731 15608-10  
vknord@deutschesalice.de  
www.deutschesalice.de

### **SALICE AMERICA INC.**

2123 CROWN CENTRE DRIVE  
CHARLOTTE NC. 28227  
TEL. 704 8417810  
FAX. 704 8417808  
info.salice@saliceamerica.com  
www.saliceamerica.com

### **SALICE FRANCE S.A.R.L.**

ROUTE DE GOA ZAC LES 3 MOULINS  
06600 ANTIBES  
TEL. 0493 330069  
FAX. 0493 330141  
info.salice@salicefrance.com  
www.salicefrance.com

### **SALICE CANADA INC.**

4025 SLADEVIEW CRESCENT  
UNIT # 7-9  
MISSISSAUGA, ONTARIO L5L 5Y1  
TEL. 905 8208787  
FAX. 905 8207226  
info.salice@salicecanada.com  
www.salicecanada.com

### **SALICE ESPAÑA, S.L.U.**

CALLE COPÉRNICO, 11  
POLÍGONO INDUSTRIAL  
COLL DE LA MANYA  
08403 GRANOLLERS (BARCELONA)  
TEL. 938 46 88 61  
FAX 938 49 11 97  
info.salice@saliceespana.es  
www.saliceespana.es

### **SALICE CHINA (SHANGHAI) CO. LTD.**

1st FLOOR, B1 BLDG 928 MINGZHU ROAD  
XUJING, QINGPU DISTRICT  
SHANGHAI 201702 - CHINA  
Tel. 021 3988 9880  
Fax 021 3988 9882  
info.salice@salicechina.com  
www.salicechina.com