

KALABRONE MINI





KALABRONE MINI is the new shelf support for free-standing shelves created by Italiana Ferramenta Srl. Boasting a captivating design, it perfectly meets the actual market demands. It is suitable for shelves from 5 to 10mm thick. Its solid structure guarantees a capacity loading of 3 Kg, including the weight of the glass shelf, for each support with a shelf 150mm deep.

KALABRONE MINI comes with a vertical adjustment through the oval hole positioned on the upper bracket.

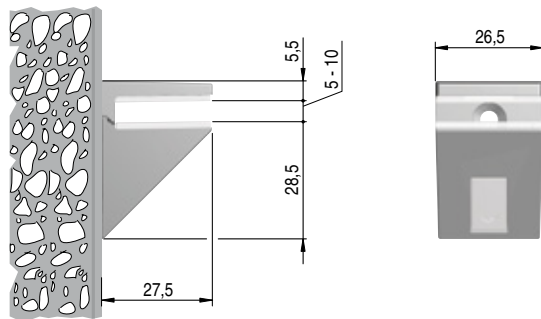
The soft element made of engineering plastic positioned on the upper and the lower bracket guarantees a perfect adhesion to the shelf, thus avoiding that the shelf is accidentally removed.

REGISTERED DESIGN

Part. no	Finish	Engineering plastic
16220080JM	aluminium RAL 9006	white
16220080YD	satín-finished nickel-plated	white
16220080KB	bright chrome	white



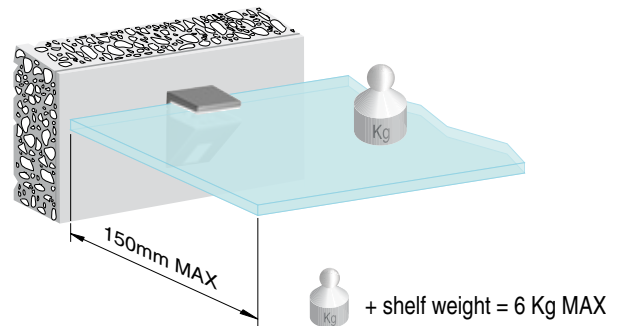
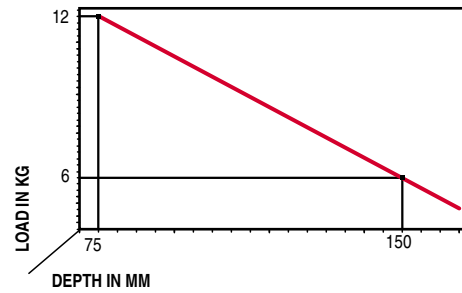
FIXING TO CEMENT WALL WITH RAWLPLUG



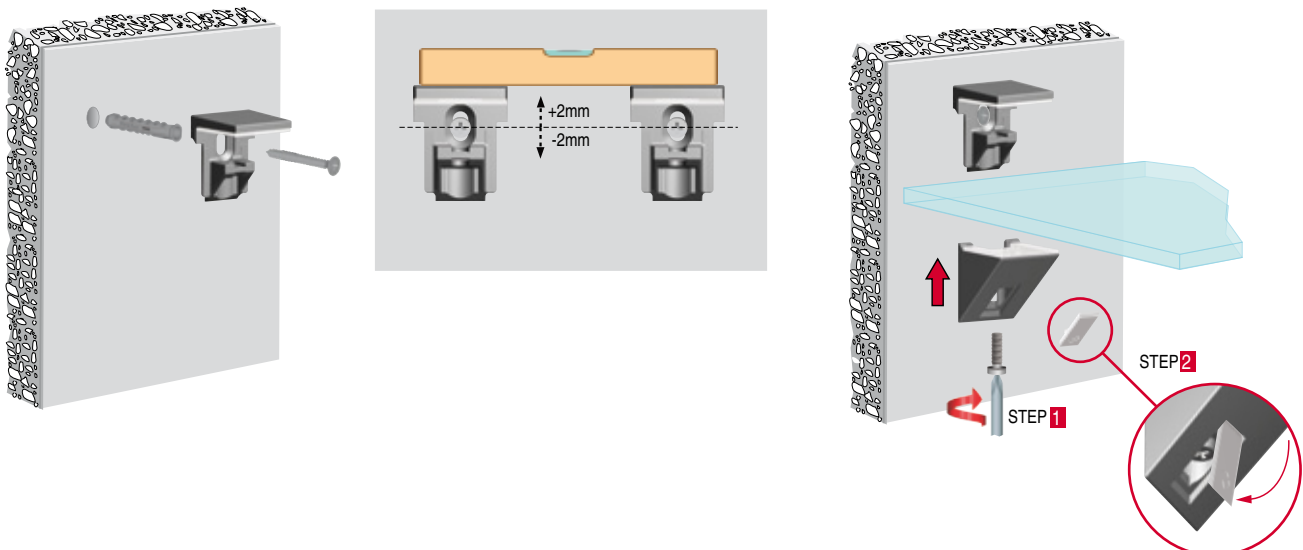
It is the responsibility of the customer:

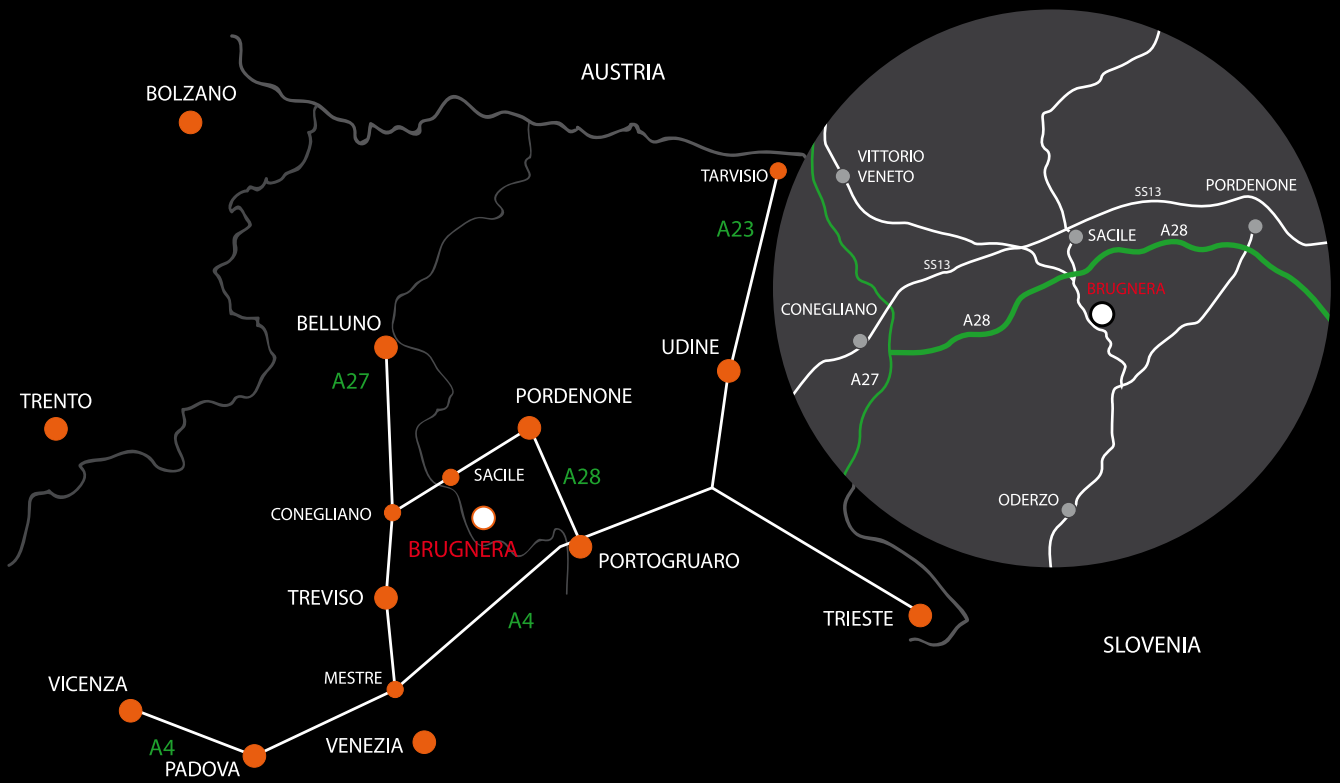
- to ensure that the wall is of a suitable quality to hold the shelf fixing in place.
- to use the right hardware fitting as required.

COMBINATION SHELF LOAD AND SHELF DEPTH (The figures refer to 1 shelf support)



INSTALLATION AND SHELF LOCKING





ITALIANA FERRAMENTA

Via Taglio n° 87 I - 33070 Maron di Brugnera (PN) Tel. +39 0434 428211 Fax +39 0434 428242 www.italianaferramenta.com info@italianaferramenta.it