

Häfele Slido D-Line11 50P to 120P Sliding door fitting



Soft and self closing mechanism:

- > Low opening force – easy and convenient operation
- > Tested with increased speed up to 0.5 m/s
- > Can be retrofitted or replaced at any time

Shock absorber:

- > Closing speed with shock absorber tested up to 0.4 m/s

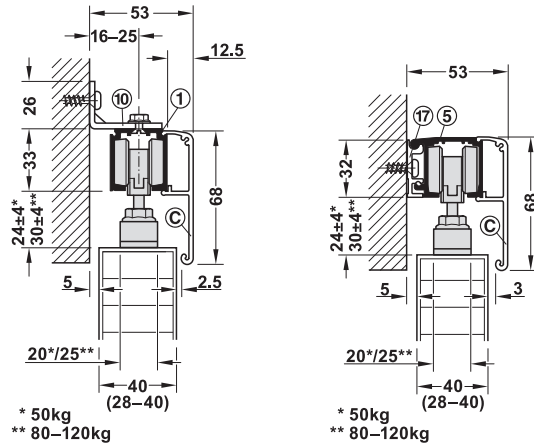
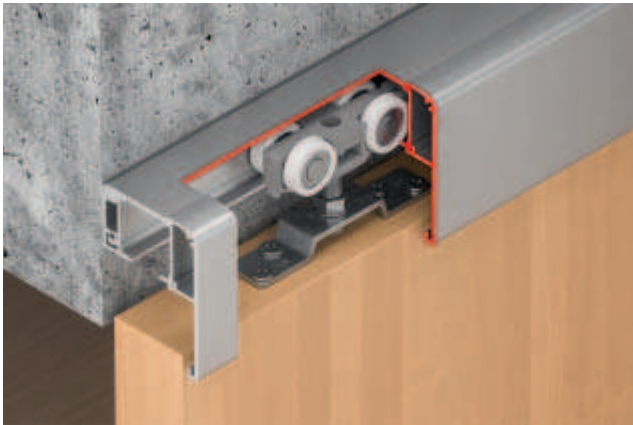


> Area of application: For 1-leaf and 2-leaf sliding doors

> Door weight: ≤50/80/120 kg

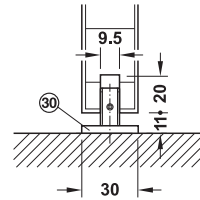
> Adjustment facility: Door height adjustable

> Installation: Suspension with screwed on support flange, wall mounting and ceiling installation



Wall mounting with mounting bracket

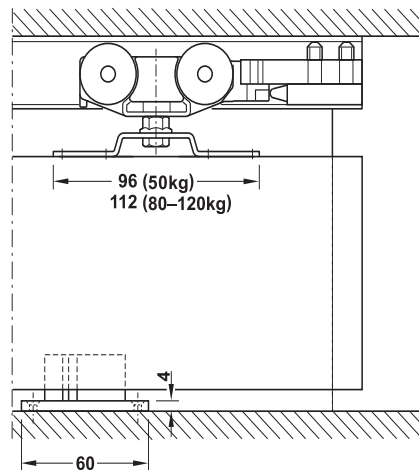
Wall mounting with mounting rail



Clear threshold floor guide (30) without guide track

Note
End cap for ceiling installation with fascia on both sides not available. One pair of end caps can be glue fixed vertically in the centre of the running track (optional).

Section trolley hanger and guide



Sliding Door Fittings for Wooden Doors

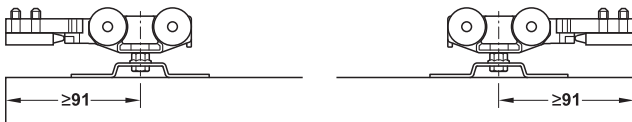
9



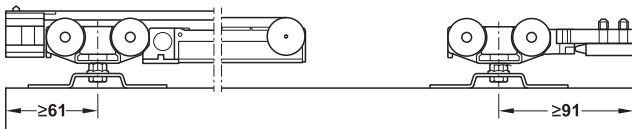
Soft closing versions overview

Running gear with axle bearing

Without soft and self closing mechanism

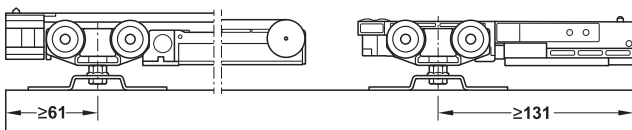


With soft and self closing mechanism on one side

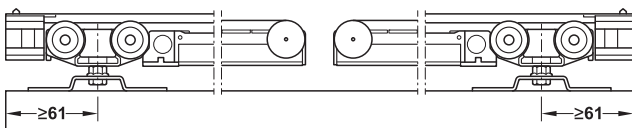


Running gear with ball bearing mounted rollers

With soft and self closing mechanism on one side and shock absorber



With soft and self closing mechanism on both sides



DGH-B 2017, HDE-en. 01/17; Dimensional data not binding. We reserve the right to alter specifications without notice.

→ Set with running track for 1 door

Wall mounting with mounting rail

Version		Supplied with	Door width mm	80P ≤80 kg per door
Running gear with axle bearing				
Without soft and self closing mechanism	Track buffer with retaining spring	1 80P set 1 mounting rail (17) 2000 mm 1 running track (5) 2000 mm with threaded end inserts 1 panel (C) 2000 mm with end caps	≥500	940.83.060
With soft and self closing mechanism on one side	Track buffer with retaining spring	1 80P set 1 mounting rail (17) 2000 mm 1 running track (5) 2000 mm with threaded end inserts 1 panel (C) 2000 mm with end caps	≥499	940.83.061
Running gear with ball bearing mounted rollers				
With soft and self closing mechanism on one side	Shock absorber with retaining spring	1 80P set 1 mounting rail (17) 2000 mm 1 running track (5) 2000 mm with threaded end inserts 1 panel (C) 2000 mm with end caps	≥558	940.83.062
With soft and self closing mechanism on both sides	–	1 80P set 1 mounting rail (17) 2000 mm 1 running track (5) 2000 mm with threaded end inserts 1 panel (C) 2000 mm with end caps	≥744	940.83.063

→ Set without running track for 1 door

Version		Supplied with	Door width mm	50P ≤50 kg per door	80P ≤80 kg per door	120P ≤120 kg per door
Running gear with axle bearing						
Without soft and self closing mechanism	Track buffer with retaining spring	2 running gears 1 clear threshold floor guide 2 track buffers with retaining spring	≥500	940.42.064	940.83.005	941.02.036
With soft and self closing mechanism on one side	Track buffer with retaining spring	2 running gears (1 with soft and self closing mechanism) 1 clear threshold floor guide 1 track buffer with retaining spring 1 release device with stopper for soft and self closing mechanism	≥499 (50 and 80 kg) ≥561 (120 kg)	940.42.065	940.83.006	941.02.037
Running gear with ball bearing mounted rollers						
With soft and self closing mechanism on one side	Shock absorber with retaining spring	2 running gears (1 with soft and self closing mechanism) 1 clear threshold floor guide 1 shock absorber with retaining spring 1 release device with stopper for soft and self closing mechanism	≥558 (50 and 80 kg) ≥620 (120 kg)	940.42.066	940.83.007	941.02.038
With soft and self closing mechanism on both sides	–	2 running gears with soft and self closing mechanism 1 clear threshold floor guide 2 release devices with stopper for soft and self closing mechanism	≥744 (50 and 80 kg) ≥868 (120 kg)	940.42.067	940.83.008	941.02.039

Order reference

Please order track, panels and accessories separately. Order 2 sets for 2-leaf sliding doors.

Note

Please note when using the shock absorber with retaining spring: The door may not close completely if the closing speed is too low, if it is too high, the door may bounce back slightly.

For sets without or with soft and self closing mechanism on one side: Soft and self closing mechanism or shock absorber can be retrofitted, if required.

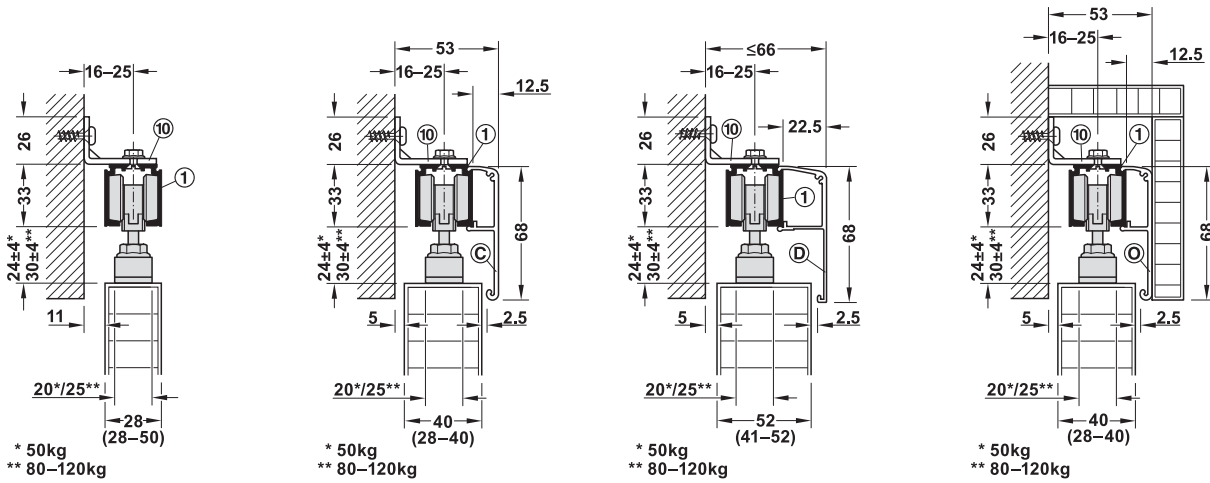
→ Accessories for retrofitting

		Load bearing capacity kg	Cat. No.
Soft and self closing mechanism, with release device with stopper, for clamping onto running gear		50	940.42.304
		80	940.83.300
		120	941.02.300
Shock absorber with retaining spring, for clamping onto running gear		50	940.42.305
		80	940.83.301
		120	941.02.301

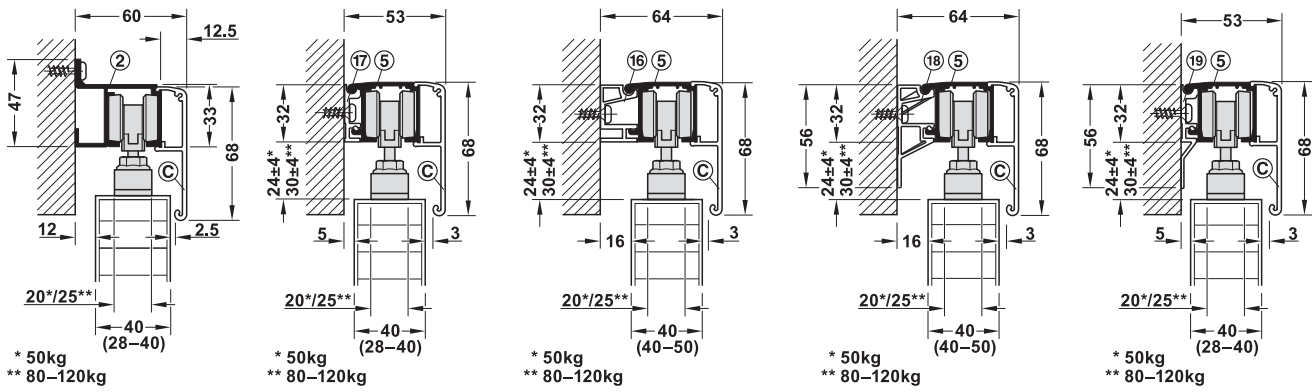
Fixing options for Häfele Slido D-Line11 50P to 120P sliding door fitting

Various fixing methods are available using this fitting. Here a selection of the most common applications as follows.

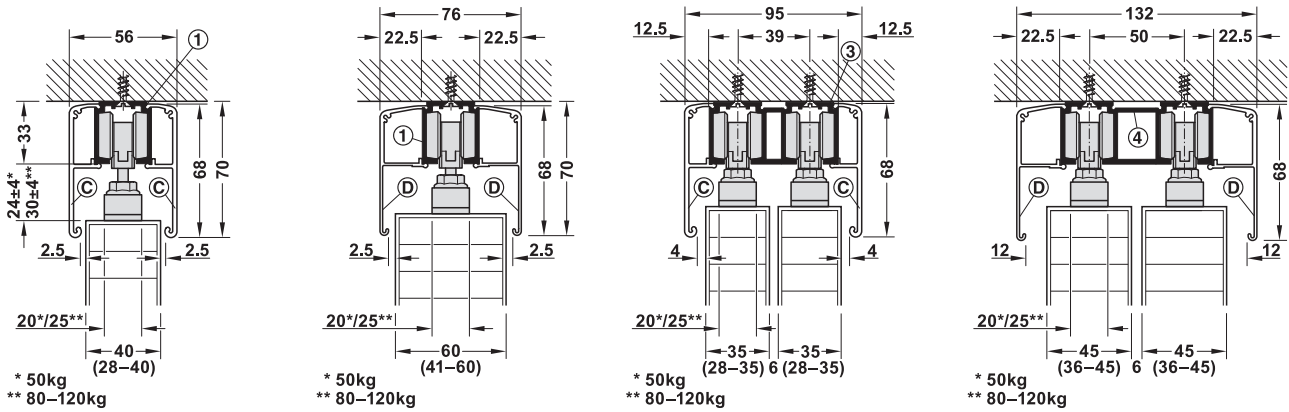
Wall mounting with mounting bracket



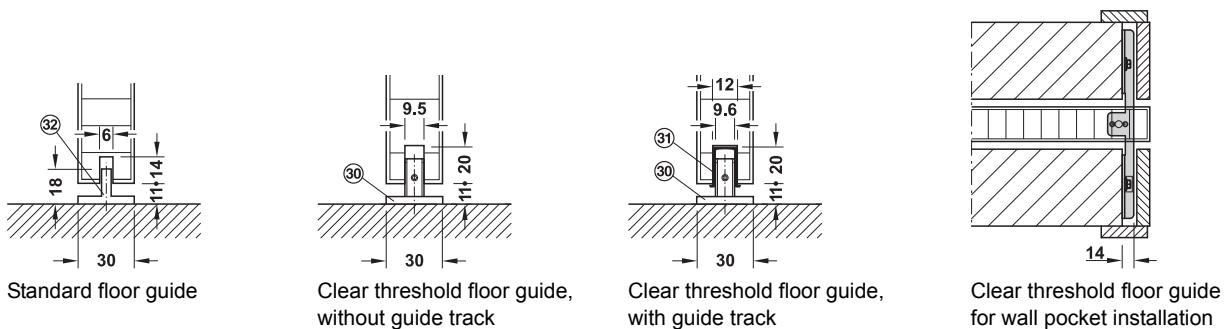
Wall mounting with running track and mounting rail



Ceiling installation



Floor guides



→ Tracks

			Area of application	Material	Finish/colour	Length mm	Cat. No.
Wall mounting and ceiling installation							
Single running track, pre-drilled, 31 x 33 mm (W x H)	①		For door weight 50–120 kg	Aluminium	Bright	2000	940.43.921
						3000	940.43.931
						6000	940.43.961
					Silver coloured anodized	2000	940.43.922
						3000	940.43.932
						6000	940.43.962
Wall mounting							
Single running track, pre-drilled, 47.5 x 47 mm (W x H)	②		For door weight 50–120 kg	Aluminium	Silver coloured anodized	2000	940.43.920
						3000	940.43.930
						6000	940.43.960
Single running track, mounting with mounting rail ⑩, ⑪, ⑫, ⑬ 32 mm (H)	⑤		For door weight 50–120 kg	Aluminium	Silver coloured anodized	2000	941.25.602
						3000	941.25.603
						6000	941.25.606
Mounting rail, pre-drilled, width 19 mm	⑬		For door weight 50–120 kg	Aluminium	Silver coloured anodized	2000	941.25.821
						3000	941.25.831
						6000	941.25.861
Mounting rail, pre-drilled, width 8 mm	⑭		For door weight 50–120 kg	Aluminium	Silver coloured anodized	2000	941.25.820
						3000	941.25.830
						6000	941.25.860
High mounting rail, pre-drilled, width 19 mm	⑫		For door weight 50–120 kg	Aluminium	Silver coloured anodized	2000	941.25.823
						3000	941.25.833
High mounting rail, pre-drilled, width 8 mm	⑬		For door weight 50–120 kg	Aluminium	Silver coloured anodized	2000	941.25.822
						3000	941.25.832
Ceiling installation							
Double running track, pre-drilled, 70 x 33 mm (W x H)	③		For door weight 50–120 kg	Aluminium	Silver coloured anodized	2000	941.02.920
						3000	941.02.930
						6000	941.02.960
Double running track, pre-drilled, 81 x 33 mm (W x H)	④		For door weight 50–120 kg	Aluminium	Silver coloured anodized	2000	941.02.820
						3000	941.02.830
						6000	941.02.860

Note

Bright aluminium running track cannot be used in conjunction with the clip panel.
Mounting rail ⑫ and ⑬ prevent lightweight construction walls, for example, from tipping.

Order reference

Please order threaded end insert for running track ⑤ and mounting rail ⑬, ⑭, ⑫ or ⑬ separately.

→ Mounting bracket and accessories

			Area of application	Material	Finish/colour	Length L mm	Wall distance track centre mm	Cat. No.
Mounting bracket with screw and nut (install every 400 mm)	⑩		For running track ①	Steel	Galvanized	36	16–25	940.42.061
						44	18–33	940.62.061
						64	33–55	940.42.063
Threaded end insert or safety lock screw for running track (1 set)	–		For running track ⑤ and mounting rail ⑬, ⑭, ⑫ or ⑬	Steel	Galvanized	–	–	941.25.090

→ Panels

			Area of application	Material	Finish/colour	Length mm	Width B mm	Cat. No.
Clip panel, height 68 mm	C		For running track ①, ②, ③, ④ and ⑤	Aluminium	Silver coloured anodized	2000	–	940.43.120
						3000	–	940.43.130
						6000	–	940.43.160
					Stainless steel coloured anodized	2000	–	940.43.122
						3000	–	940.43.132
						6000	–	940.43.162
Clip panel, for thick doors, height 68 mm, width 22.5 mm	D		For running track ①, ②, ③, ④ and ⑤	Aluminium	Silver coloured anodized	2000	–	940.43.220
						3000	–	940.43.230
						6000	–	940.43.260
Fixing clip, for wooden panel	C		For running track ①, ②, ③, ④ and ⑤	Aluminium	Bright	100	–	940.43.025
End cap set	–		For running track ①	Plastic	Silver coloured	–	31	940.43.066
End cap set for panel C	–		For running track ①	Plastic	Silver coloured	–	44	940.43.031
					Stainless steel coloured	–	44	940.43.036
			For running track ②	Plastic	Silver coloured	–	59	940.43.020
			For running track ⑤ with mounting rail ⑰, ⑱	Plastic	Silver coloured	–	52	941.25.033
					Stainless steel coloured	–	52	941.25.036
			For running track ⑤ with mounting rail ⑰, ⑱	Plastic	Silver coloured	–	63	941.25.034
Stainless steel coloured	–	63			941.25.037			
End cap set for panel D	–		For running track ①	Plastic	Silver coloured	–	54	940.43.030
			For running track ②	Plastic	Silver coloured	–	68	941.62.020
			For running track ⑤ with mounting rail ⑰, ⑱	Plastic	Silver coloured	–	73	941.25.035

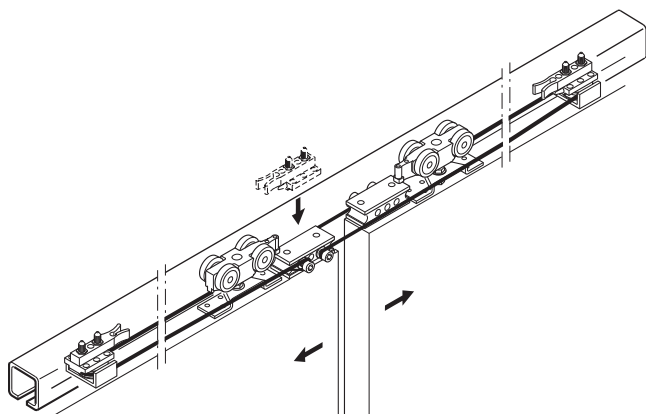
→ Guides

			Area of application	Material	Finish/colour	Length mm	Cat. No.
Standard floor guide	32		1-leaf sliding doors	Plastic	Grey	–	940.42.031
Clear threshold floor guide	30		For wooden doors with or without guide track ⑳	Plastic	Black	–	940.42.030
Guide track, bottom, for press fitting	31		For clear threshold floor guide ⑳	Plastic	Black	1000	940.42.050
						1500	940.42.051
						2000	940.42.052
Clear threshold floor guide, for wall pocket installation	–		For installation on one or both sides to front side of sliding door wall pocket, for gap width 8–8.5 mm	Stainless steel	–	245, can be cut to size	940.42.035

Door handles for sliding doors	► BB 3.122
Mortice locks	► BB 4.28 ► BB 9.362
Retractable seals for sliding doors	► BB 8.17
Synchro fitting	► BB 9.41
Track stopper	► BB 9.41
Stacking	► BB 9.42
Track cleaner	► BB 9.85
Door seals for sliding doors	► BB 9.136
Flush pull handles	► BB 9.371



Synchro Additional set for Häfele Slido D-Line11 50P to 120P sliding door fittings



- > Area of application: For 2-leaf sliding doors
- > Functionality: For symmetrical opening of 2 door leaves
- > Door width: ≥ 600 and $\leq 1,500$ mm

Note

The additional set can only be used in conjunction with basic equipment consisting of two sets for 1-leaf sliding doors (50P, 80P or 120P) and running track.
Not suitable for versions with soft and self closing mechanism.

	Supplied with	Cat. No.
For 2-leaf sliding doors	2 track buffers with deflection roller 1 cable without plastic sheathing, length 10 m 2 cable fixing blocks	940.44.002

→ Cable for Synchro



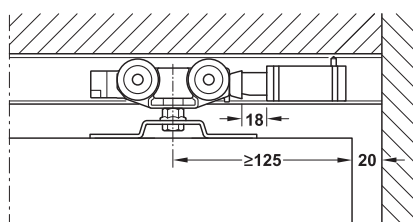
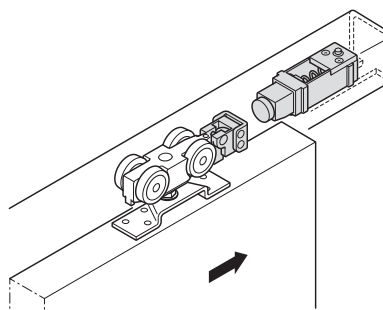
Version	Length mm	Packing pieces	Cat. No.
Without plastic sheathing	10	1	940.44.074

Order reference

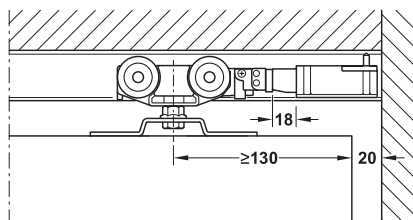
Please order additional cable for door widths $\geq 1,250$ mm.

Häfele Slido D-Line11 50P - 120P sliding door fitting ► BB 9.36

Track stopper additional set for Häfele Slido D-Line11 50P to 120P, 50C to 120C and 50I to 120I sliding door fittings



Track stopper



Track stopper with magnetic pull

Note

Not suitable for use in conjunction with soft and self closing mechanism.

- > Functionality: The track stopper replaces the sprung handle with sliding doors that run in walls. The door bounces back out of the cavity after pushing it slightly so that the flush pull handle can be reached. When using the track stopper version with magnetic pull, then the door is additionally held in open position.
- > Installation: The track stopper is pushed into the running track from the front edge and fixed using fixing screw. A wall distance of min. 20 mm must be provided in order to ensure the functionality of the soft closing action.

		Door weight kg	Cat. No.
Track stopper		50	940.42.070
		80	940.42.071
		120	940.42.072
Track stopper, with magnetic pull		50	940.42.310
		80	940.42.311
		120	940.42.312

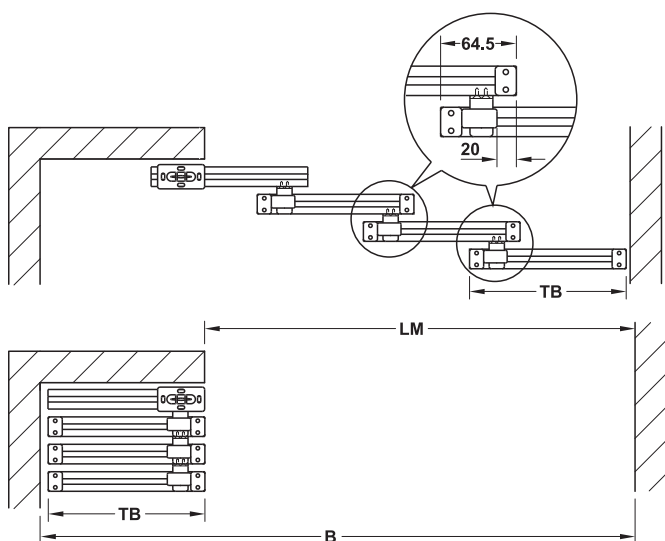
Häfele Slido D-Line11 50I - 120I sliding door fitting ► BB 9.30

Häfele Slido D-Line11 50P - 120P sliding door fitting ► BB 9.36

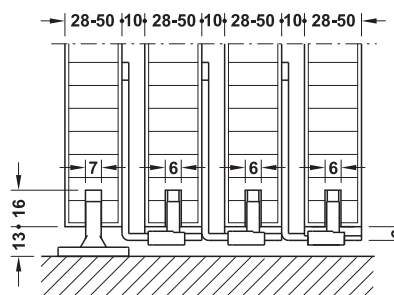
Häfele Slido D-Line11 50C - 120C sliding door fitting ► BB 9.44

Stacking, additional set

for Häfele Slido D-Line11 50P to 120P, 50C to 120C and 50I to 120I



- > Area of application: For stacking 2 to 4 door leaves
- > Door width: 700–1,500 mm



TB = door width, LM = internal width, B = total width
 2 doors: $TB = (LM + 129 \text{ mm})/2$
 3 doors: $TB = (LM + 193.5 \text{ mm})/3$
 4 doors (see drawing): $TB = (LM + 258 \text{ mm})/4$

Note

The additional set can only be used in conjunction with the respective number of door sets (of suitable fittings), respective number of running tracks and panels (optional).

The use for versions with soft and self closing mechanism is only suitable to a limited extent as a smooth opening and closing action cannot be ensured.

		Supplied with	Cat. No.
Stacking set		2 stoppers 1 floor guide with bracket	940.44.001
Floor guide, plastic		-	942.35.400

Order reference

Please order for the use of:

- > 2 doors: 1 set, 1 floor guide
- > 3 doors: 2 sets, 1 floor guide
- > 4 doors: 3 sets, 1 floor guide

→ Running tracks and panels

Note

Suitable end cap set is not available.

		Area of application	Material	Finish/colour	Length mm	Cat. No.
Single running track, pre-drilled, 31 x 33 mm (W x H)		For door weight 40–120 kg	Aluminium	Silver coloured anodized	2000	940.43.922
					3000	940.43.932
					6000	940.43.962
Clip panel, height 56 mm		For running track ①, ②, ③, ④ and ⑤	Aluminium	Silver coloured anodized	2000	940.43.123
					3000	940.43.133
					6000	940.43.163
Clip panel, height 68 mm		For running track ①, ②, ③, ④ and ⑤	Aluminium	Silver coloured anodized	2000	940.43.120
					3000	940.43.130
					6000	940.43.160

Häfele Slido D-Line11 50I - 120I sliding door fitting ►BB 9.30

Häfele Slido D-Line11 50P - 120P sliding door fitting ►BB 9.36

Häfele Slido D-Line11 50C - 120C sliding door fitting ►BB 9.44

