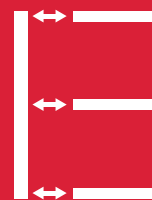
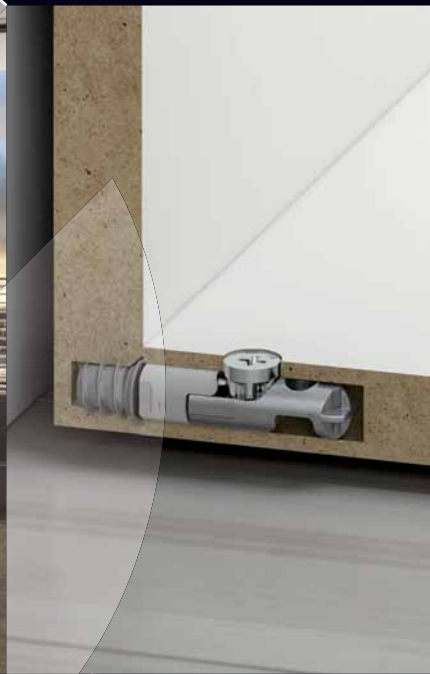
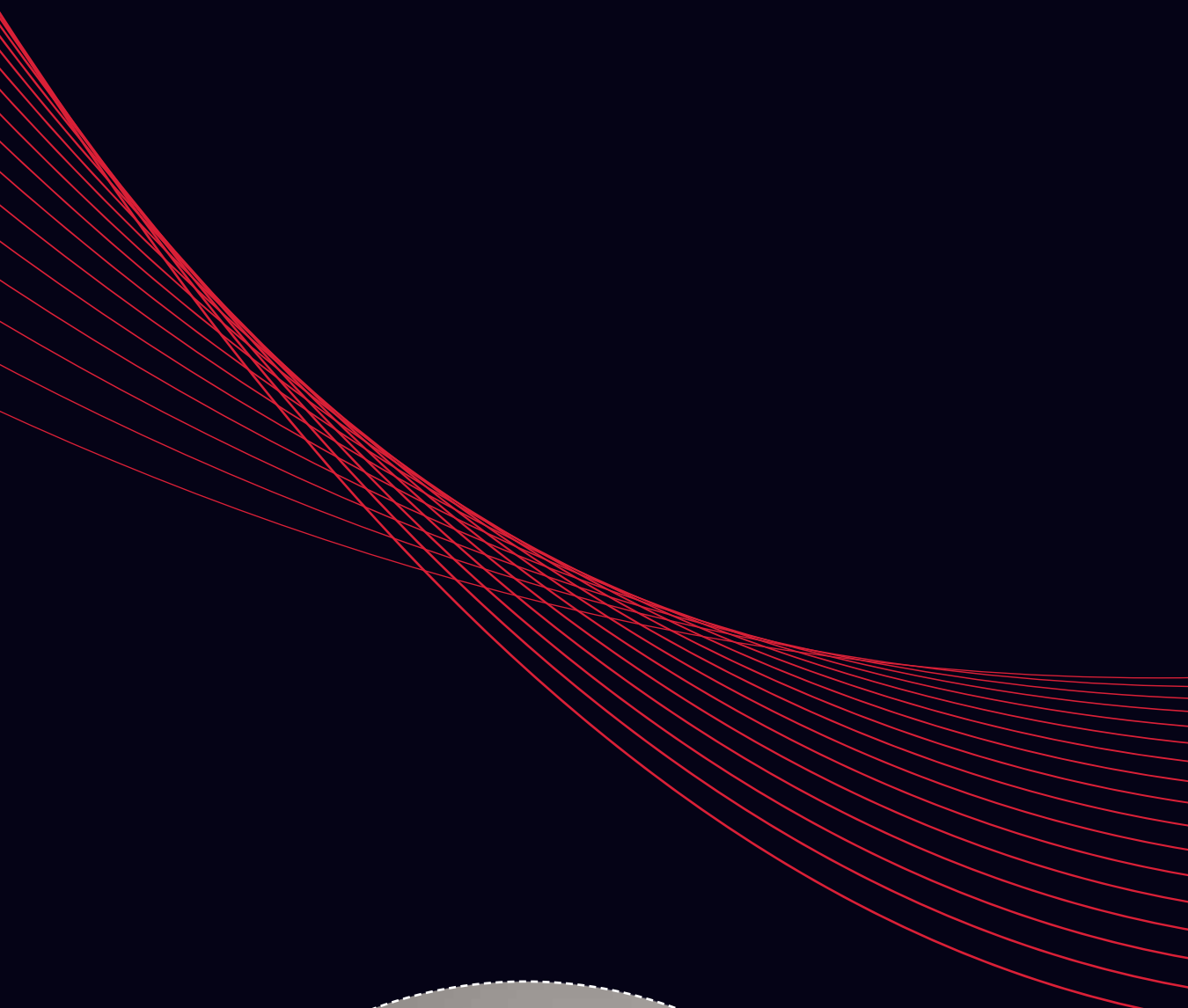


TARGET



CONNECTINGS





# SYMBOLS AND FINISHES LEGEND

## SYMBOLS



= SHELF SAFELY LOCKED DURING TRANSPORTATION AND AT HOME.



= ANTI-TURNOVER LOCKING SYSTEM



= NORMS / PATENTS



= PHILLIPS / POZIDRIV



= NEWTON



= PART.NO



= HEXAGONAL SOCKET



= FRICTION



= PCS. PER PACKAGE



= BLADE SLOT



= AUTOMATIC



= COMBI SLOT



= DROP DOWN



= CAPACITY LOADING



= COUNTERSUNK HEAD



= WOOD / GLASS THICKNESS



= PAN HEAD



= STANDARD HINGE



= HOLE DIAMETER



= FLANGE HEAD



= KIMANA HINGE



= DIAMETER



= FLAT HEAD



= FLAP HINGE



= LENGTH



= TRILOBULAR SCREW



= WITH SPRING



= HEIGHT



= SELF-TAPPING SCREW



= WITHOUT SPRING



= RIGHT VERSION



= EURO THREAD



= REVERSED SPRING



= LEFT VERSION



= METRIC THREAD



= SETTING CODE



= PRE-INSERTED SCREW



= FOR ROUND TUBE



= PCS. PER PAD



= PRE-INSERTED SCREW AND SPREADING BUSH



= FOR OVAL TUBE



= CUT ON REQUEST



= WITH BUFFER



= SELF ADHESIVE



= WITH MAGNET



= WITH FLANGE

NOTE: Printing errors and omissions may exist despite our best efforts to ensure accuracy. We reserve the right to alter specifications without notice.

## MATERIALS

<b>ZA</b> = Zinc Alloy	<b>ST</b> = Steel	<b>HSS</b> = High Speed Steel	<b>BR</b> = Brass	<b>ABS</b> = Acrylonitrile Butadiene Styrene
<b>ZAnk</b> = Nickel-plated Zinc Alloy	<b>STzk</b> = Zinc-plated Steel	<b>AL</b> = Aluminium	<b>WD</b> = Wood	<b>EVA</b> = Ethylene Vinyl Acetate

**EP** = **ENGINEERING PLASTIC**

+ **EP** = other engineering plastic available on request

**SR** = **SOFT RUBBER**

+ **SR** = other soft rubber available on request

<b>EPn</b> = Natural Engineering Plastic	<b>EPc</b> = Clear Engineering Plastic	<b>SRn</b> = Natural Soft Rubber
<b>EPw</b> = White Engineering Plastic	<b>EPg</b> = Grey Engineering Plastic	<b>SRw</b> = White Soft Rubber
<b>EPwg</b> = Water Green Engineering Plastic		<b>SRb</b> = Black Soft Rubber



## FINISHES



+ **OTHER FINISHES AVAILABLE ON REQUEST**

PART. NO	FINISHES	PART. NO	FINISHES	PART. NO	FINISHES
AA	Natural	JB	Bright Aluminium	QB	Walnut
AB	White	JC	Aluminium - Chrome	RO	Red
AC	Opal White	JD	Matt Aluminium	UZ	T -Met
AE	White 9010	JE	Satin-finished Aluminium	WA	Bronzed
AK	Champagne	JF	Aluminium - Brass	WI	Burnished
AL	Ivory	JG	Aluminium 5	XD	Satin-finished Steel
EA	Black	JL	Aluminium PE 11	YA	Nickel-plated
EB	Glossy Black	JM	Aluminium RAL 9006	YB	Bright Nickel-plated
EC	Matt Black	KA	Chrome	YC	Matt Nickel-plated
EE	Anthracite	KB	Bright Chrome	YD	Satin-finished Nickel-plated
FU	Gunmetal	KC	Matt Chrome	ZA	Zinc alloy
GR	Raw	MA	Brown	ZN	Zinc-plated
HA	Brass-Plated	MB	Light Brown 1	ZQ	Bright Gold
HH	Tropicalized	NN	Metallic Beige	ZY	Titanium
HL	Raw Brass	NO	Beige	ZZ	Clear
IA	Grey	OA	Oak	00	Insignificant finish
IB	Metallic Grey	OZ	Ash		
IF	Middle Grey	PA	Light Ash		
IJ	Light Grey	PZ	Beech		
IL	Grey 20	QA	Maple		

## TARGET J10

**TARGET** is the new structural connecting fitting conceived by Italiana Ferramenta with high fastening capacity, suitable for mounting with wood dowels.

**TARGET** is an ideal solution for the installation of cabinets in tight spaces.

**TARGET** provides the possibility of pre-assembling into the panels without obstructing the packaging.

### FEATURES AND BENEFITS

#### Easy pre-assembling

Simple pre-insertion into the panels. Conceived for automatic assembling.

#### Suitable for furniture in kit

Its unique features make **TARGET** the ideal solution for kit furniture.

#### No hardware kits

There is no need of hardware kits.

#### High-speed assembling

Mounting is extremely fast and efficient thanks to the pre-assembling of the panels.

#### Strong structural fastening

The panels are hard and securely fastened, therefore the cabinet is 100% stress-resistant.

#### Wide range of applications

Practical solution for a wide range of applications.

Interzum Award:  
Intelligent material & design 2017

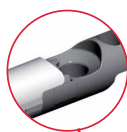
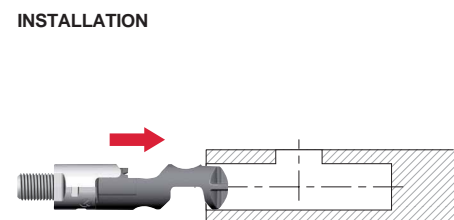
High Product Quality



15 - 25 mm

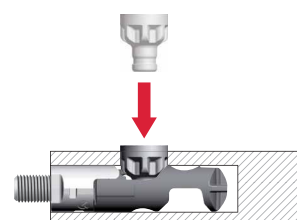
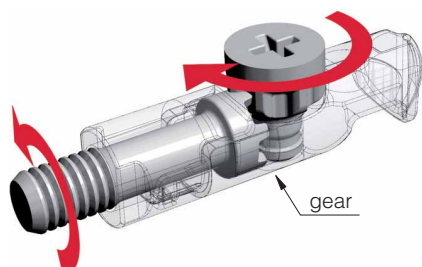
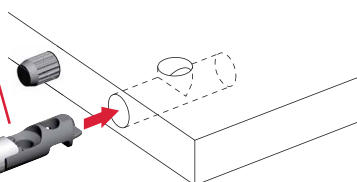


### INSTALLATION

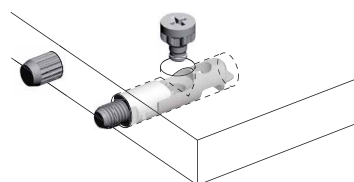


#### VERY IMPORTANT

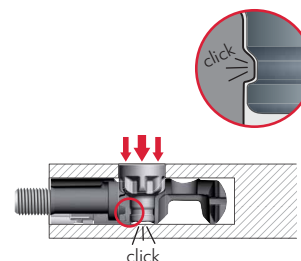
Insert **TARGET** connecting with countersunk hole on top.



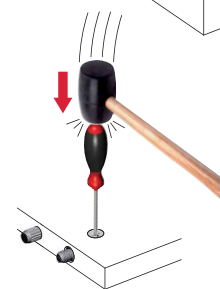
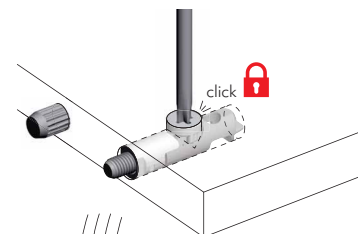
Place the pinion screw from above.



By turning the pinion screw, the threaded dowel makes a synchronized rotation.



Press strongly with PZ2 cross screwdriver to slot the pinion screw in.

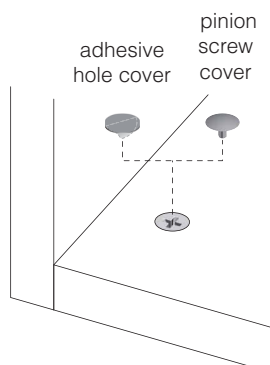
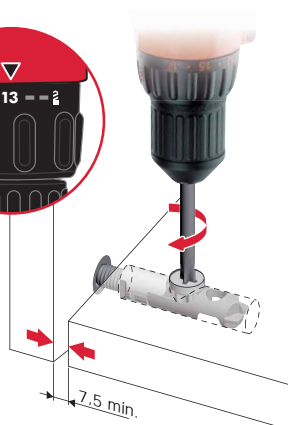
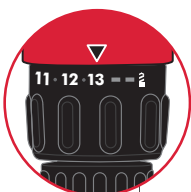


It may be helpful to use a tool in order to easily slot the pinion screw in.

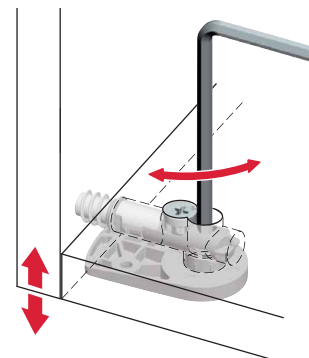
### ASSEMBLING

#### VERY IMPORTANT

Cordless driver drill to be used **ONLY** with **friction mode** on.



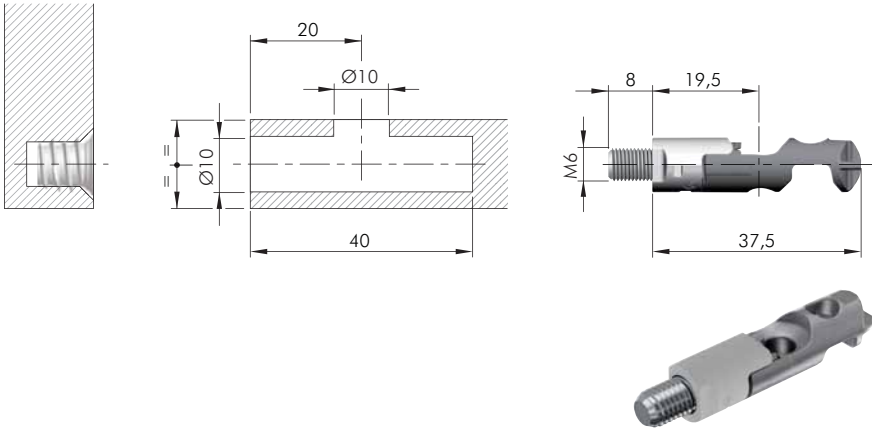
### LEVELLER ADJUSTMENT



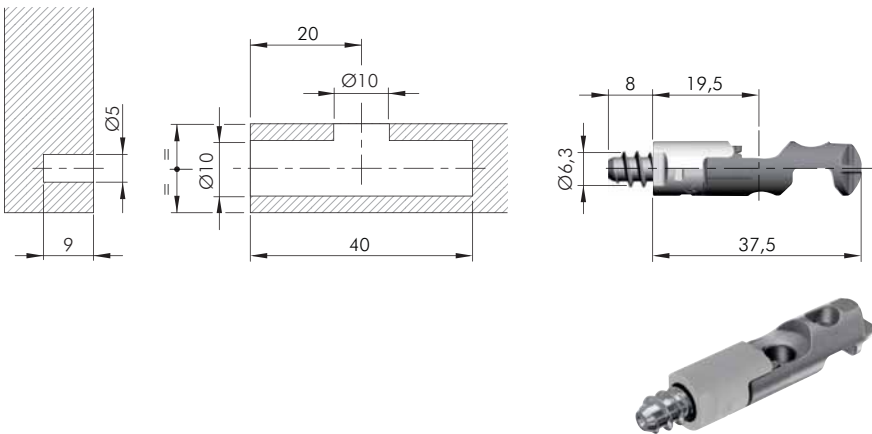
For details refer to the related section about adjustable feet available.



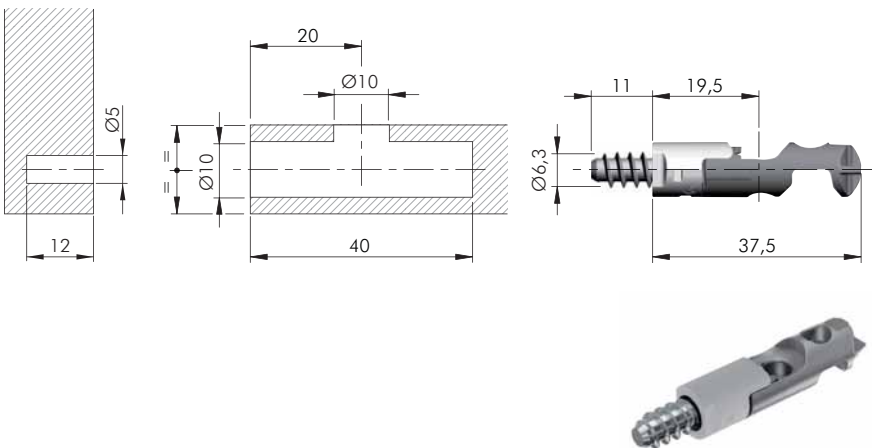
**TARGET J10**



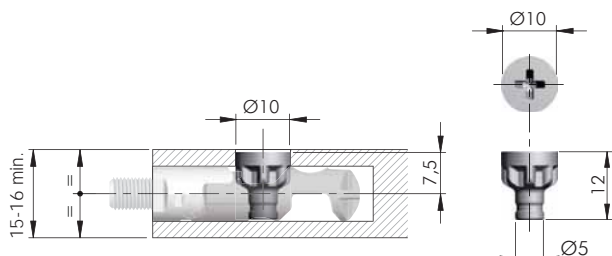
= M6  
 ZA ST EP = 1000 pcs.  
 123   
 21802160Zn



ZA ST EP = 1000 pcs.  
 123   
 21803160Zn

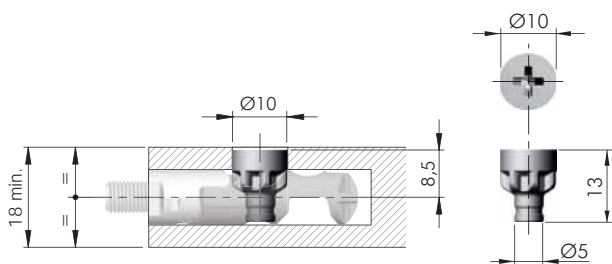


ZA ST EP = 1000 pcs.  
 123   
 21803220Zn



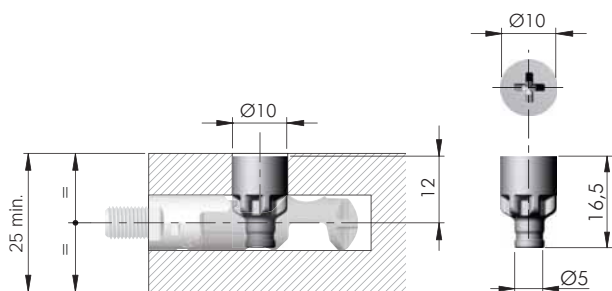
= PZ2     = Ø 10 mm  
 = 15-16 mm min.  
     = 2000 pcs.

123  
  
 21821160Z<sup>N</sup>



= PZ2     = Ø 10 mm  
 = 18 mm min.  
     = 2000 pcs.

123  
  
 21821180Z<sup>N</sup>

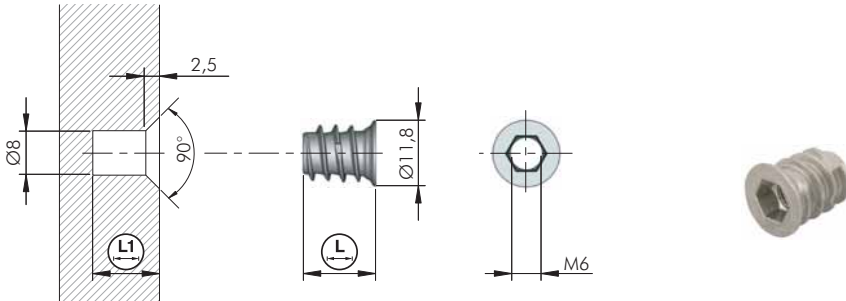


= PZ2     = Ø 10 mm  
 = 25 mm min.  
     = 2000 pcs.

123  
  
 21821250Z<sup>N</sup>



**TARGET FIXING ACCESSORIES**

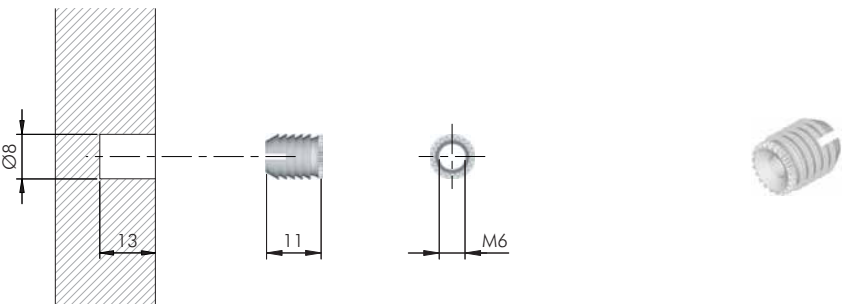


= Ø 8 mm   
 = M6   
 +

  
 = S6

  
 = 5000 pcs.

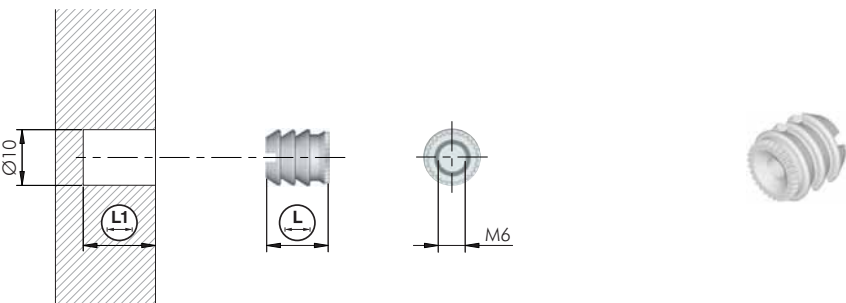
20102010GR		10	12
20102020GR		13	15
20102040GR		17	19



= Ø 8 mm   
 = M6

  
 = 1000 pcs.

20303030AA	

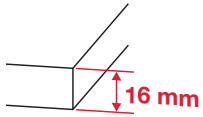


= Ø 10 mm   
 = M6

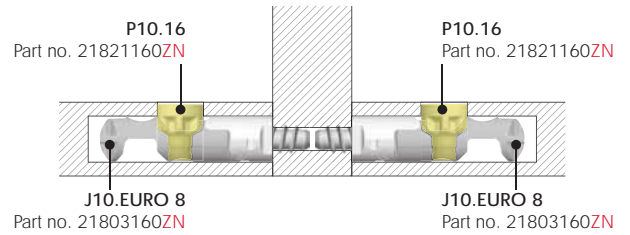
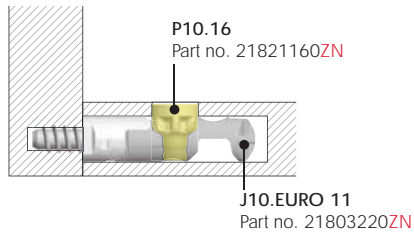
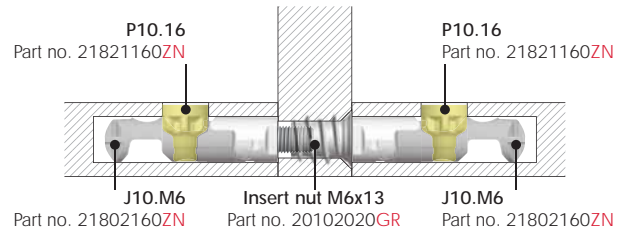
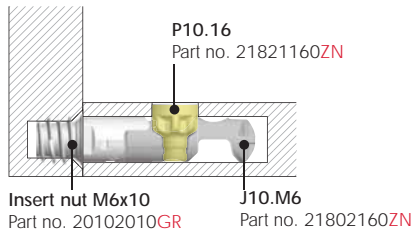
  
 = 1000 pcs.

20304030AA		11	13
20304040AA		13	15

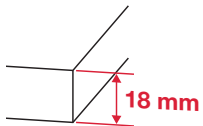
M6 thread



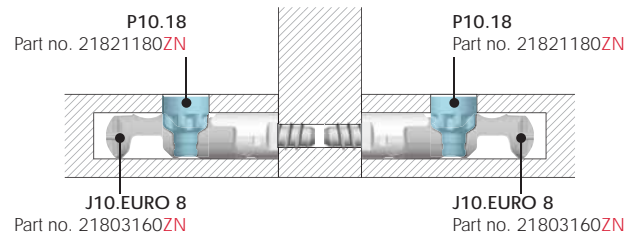
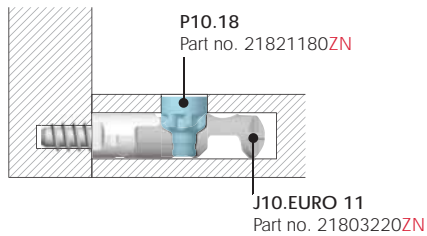
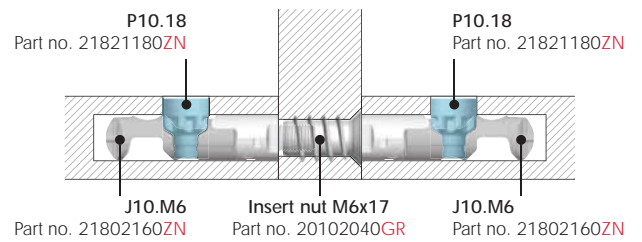
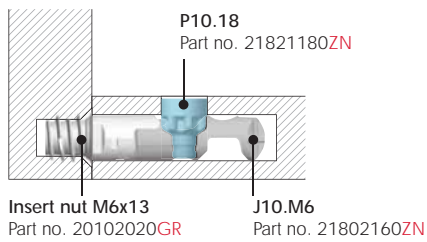
Euro thread



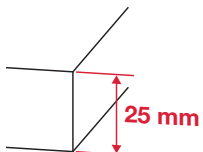
M6 thread



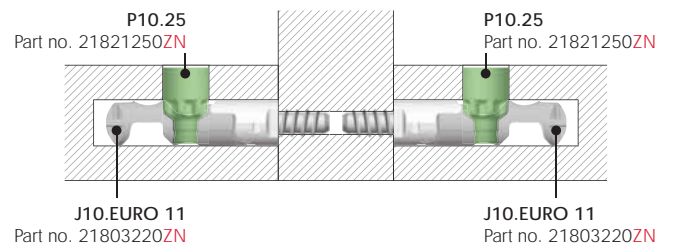
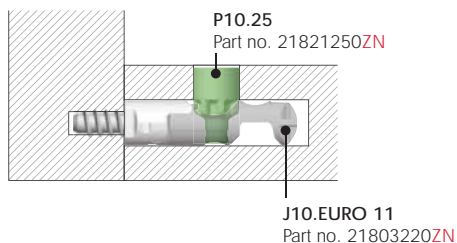
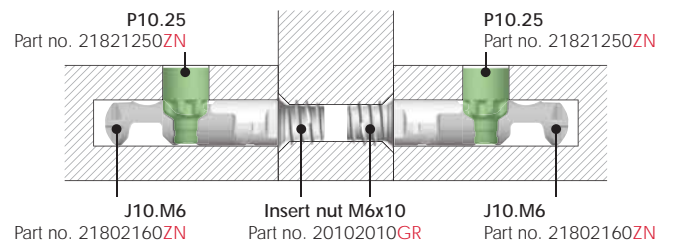
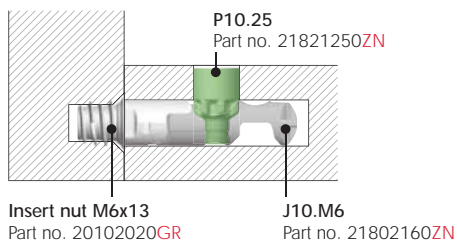
Euro thread



M6 thread



Euro thread





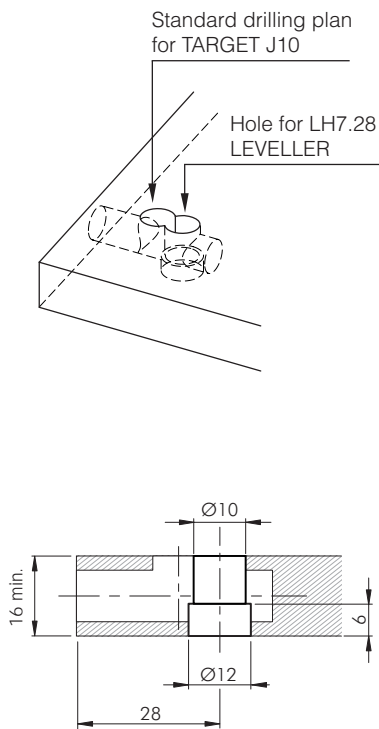
## LH7.28 ADJUSTABLE LEVELLER FOR TARGET J10



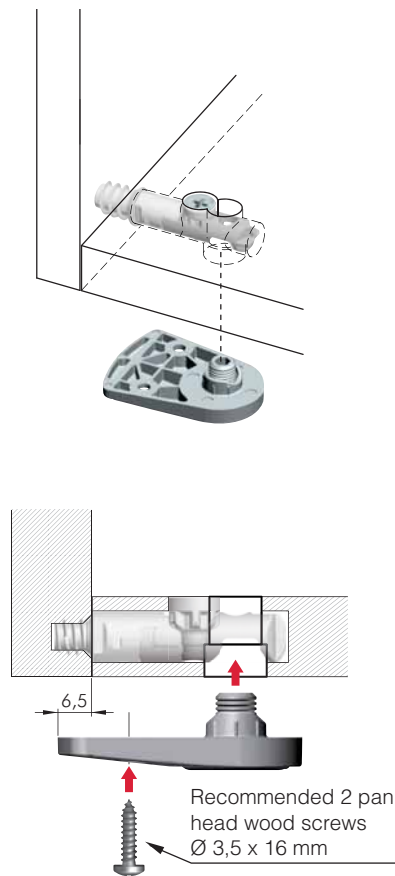
150 Kg per piece



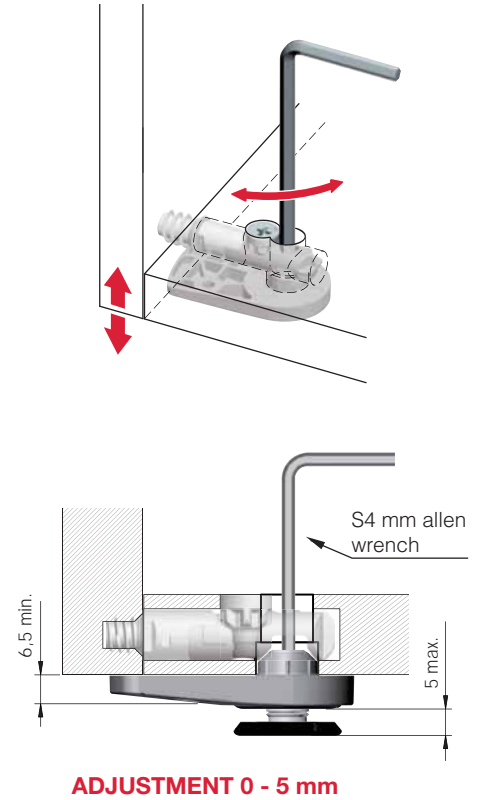
### DRILLING PLAN DETAIL



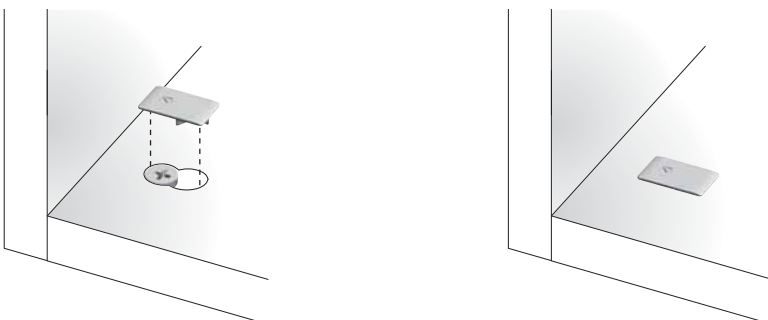
### INSTALLATION

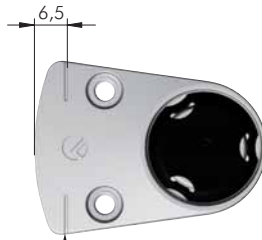


### ADJUSTMENT

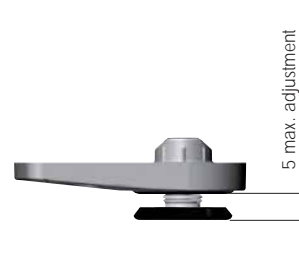
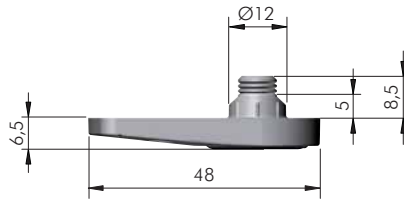
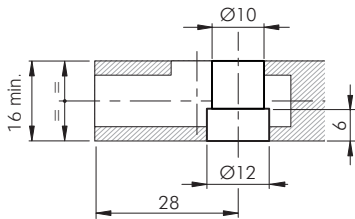
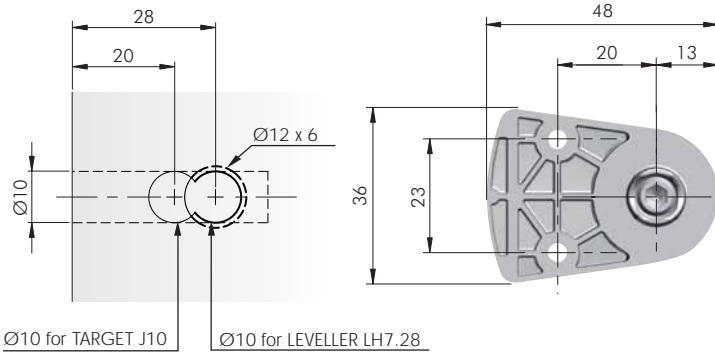


### COVER CAP INSERTING





Marks for alignment with panel edges



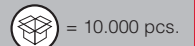
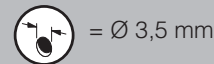
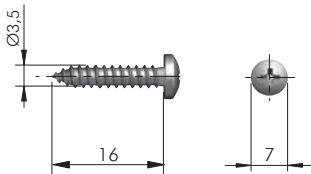
**ADJUSTMENT 0 - 5 mm**



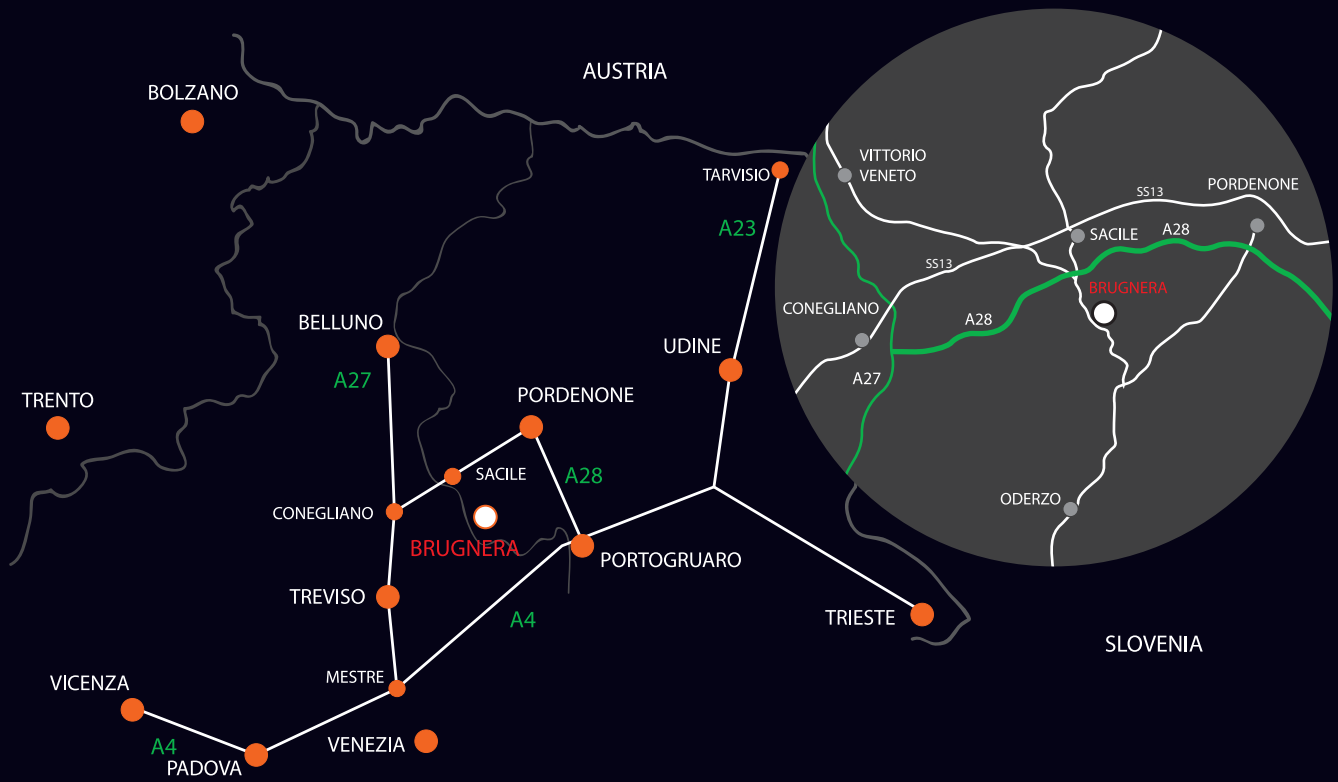
2183628000



**LH7.28 LEVELLER ACCESSORY**



60103140ZN



[www.italianaferramenta.com](http://www.italianaferramenta.com)