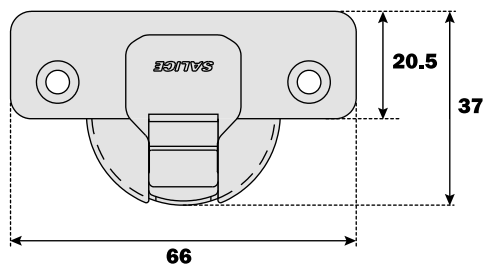




Series 100
SALICE

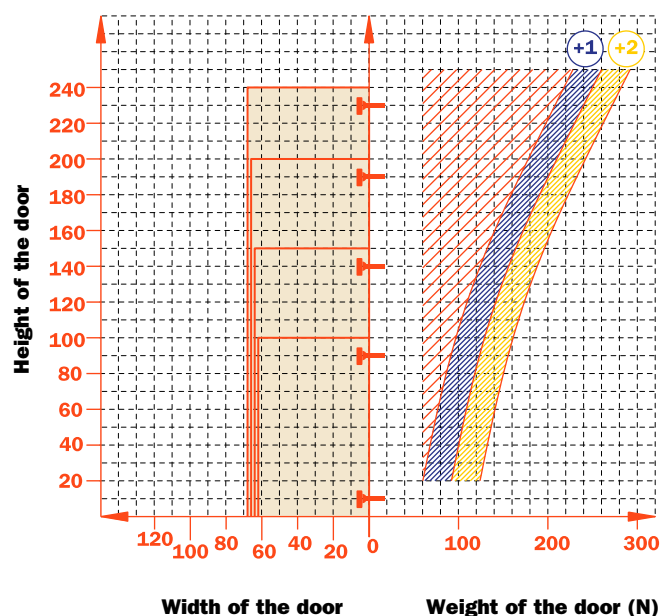
Hinges for thinner door.

**Bright nickel plated steel cup and arm.
Dimensions of the Ø 35 mm cup.**



Constant "L" value of 0.7 mm (it does not change during side adjustment).

Approx. number of hinges required according to the door dimension and weight.



Adjustments

Compensated side adjustment from -1.5 mm to +4.5 mm.
Height adjustment ± 2 mm.
Depth adjustment with Series 200 mounting plates +2.8 mm.
Depth adjustment with Domi snap-on mounting plates from -0.5 mm to +2.8 mm.
Anti-sliding safety stop.

Mounting plates

Symmetrical and asymmetrical bright nickel plated steel or die-cast Series 200 mounting plates.
Snap-on assembly on Domi mounting plates.
Positioning with pre-determined stop on traditional Series 200 mounting plates.

N.B. : Use POZIDRIVE No. 2 screwdrivers for all screws.

Drillings and fixings

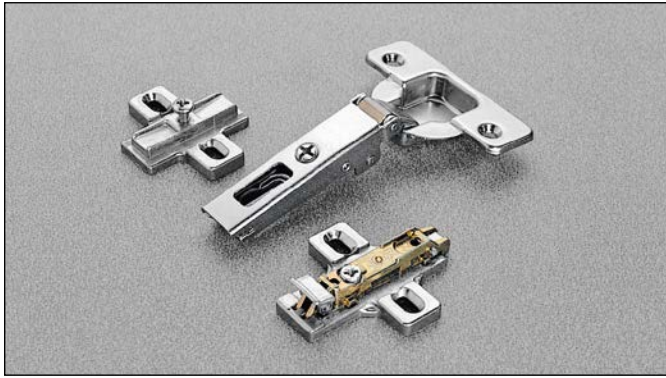
Wood screw	A	A	
	P	P	
	U	U	

Dowel	B	B	

Use this table to identify the available drillings and fixings.

Fill the third position of the hinge code number with the letter or the number corresponding to your choice. I.e.: C1_6A99.

↑
Fill this position with the chosen letter or number.



Technical information

For min. 10 mm thick doors.

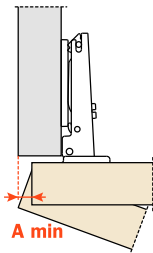
8 mm deep metal cup.

105° opening.

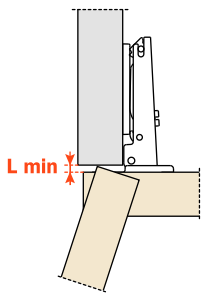
Possible drilling distance on the door (K): from 3 to 6 mm.

Compatible with all traditional Series 200 mounting plates and with all Domi snap-on mounting plates.

Space needed to open the door



	T=	10	11	12	13	14	15	16	17	18	19	20
K=3	A=	0.2	0.3	0.4	0.6	0.8	1.0	1.3	1.6	1.9	2.3	2.7
K=4	A=	0.2	0.3	0.4	0.6	0.8	1.0	1.3	1.6	1.9	2.2	2.6
K=5	A=	0.1	0.3	0.4	0.6	0.8	1.0	1.2	1.5	1.8	2.1	2.5
K=6	A=	0.1	0.2	0.4	0.5	0.7	1.0	1.2	1.5	1.8	2.1	2.4

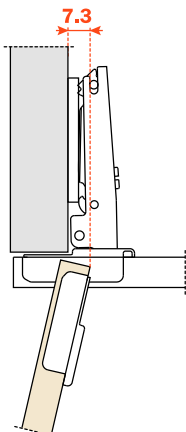


	T=	10	11	12	13	14	15	16	17	18	19	20
K=3	L=	0.0	0.0	0.0	0.0	0.0	0.0	0.0	0.0	0.0	0.1	0.3
K=4	L=	0.0	0.0	0.0	0.0	0.2	0.4	0.6	0.7	0.9	1.1	1.2
K=5	L=	0.5	0.7	0.9	1.0	1.2	1.4	1.5	1.7	1.9	2.1	2.2
K=6	L=	1.5	1.7	1.8	2.0	2.2	2.4	2.5	2.7	2.9	3.1	3.2

The above values are calculated on the assumption that the doors have square edges. They are reduced if the doors have radiussed edges.

Projection of the door

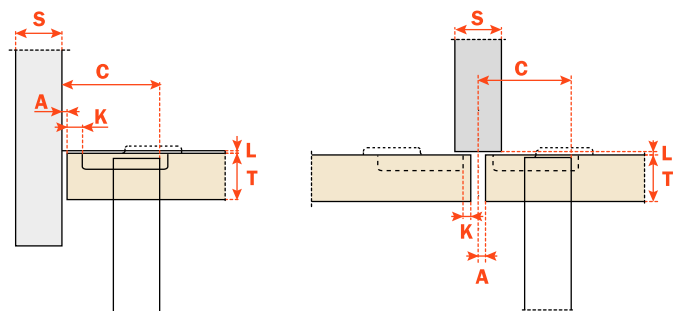
Projection of the door from the cabinet side at the max. opening. The figures are based on a straight arm hinge, H=0 mm thickness of mounting plate and K value = 3 mm.



"C" value

With this formula you can obtain the max. thickness of the moulded door that can be opened without touching adjacent carcass sides, doors or walls, whilst bearing in mind the above L-K-T values.

$$C = 20.5 + K + A$$



Packing

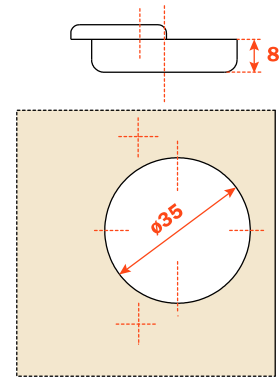
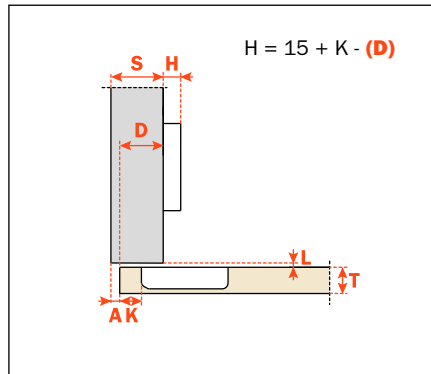
Boxes 300 pcs.
Pallets 7.200 pcs.

CA sprung hinge

CL unsprung hinge

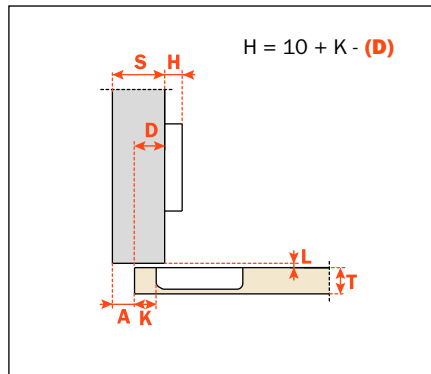
Use these formulas to determine the type of hinge arm, the drilling distance "K" and the height of the mounting plate "H" which is necessary to solve each application problem.

Use the tables "Drillings and fixings" at page 3 to complete the code number of the desired hinge.

**Arm 0**

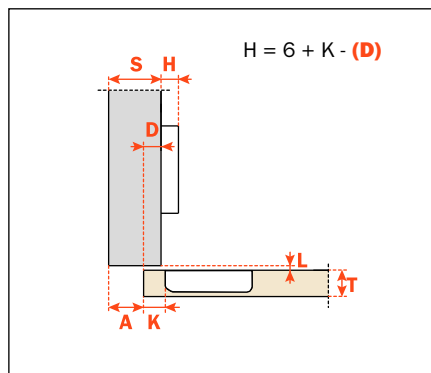
CA - C1_6A99

CL - C1_4A99

Arm 5

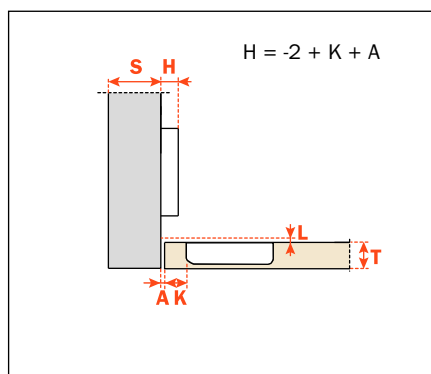
CA - C1_6D99

CL - C1_4D99

Arm 9

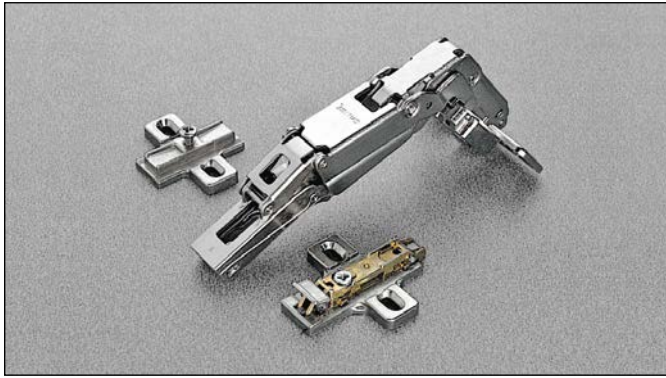
CA - C1_6G99

CL - C1_4G99

Arm 17

CA - C1_6P99

CL - C1_4P99



Technical information

For min. 10 mm thick doors.

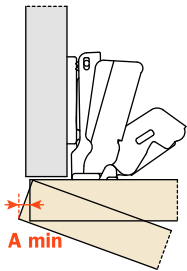
8 mm deep die-cast cup.

155° opening.

Possible drilling distance on the door (K): from 3 to 8 mm.

Compatible with all traditional Series 200 mounting plates and with all Domi snap-on mounting plates.

Space needed to open the door

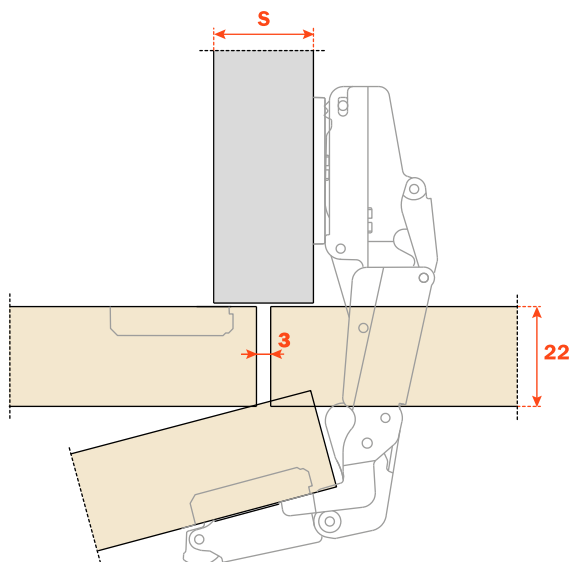
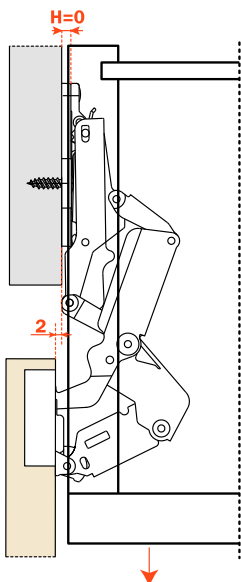


T=	16	18	20	22
K=3	A= 0.0	0.0	0.3	1.2
K=4	A= 0.0	0.4	0.4	1.3
K=5	A= 0.0	0.1	0.5	1.6
K=6	A= 0.0	0.1	1.2	3.0
K=7	A= 0.0	0.1	0.7	2.5
K=8	A= 0.0	0.1	0.6	1.9

The above values are calculated on the assumption that the doors have square edges. They are reduced if the doors have radiussed edges.

“C” value

For spaces with removable components. The door combined with a mounting plate H=0 and a straight arm hinge opens at 90° with lateral door protrusion of 2 mm.



Packing

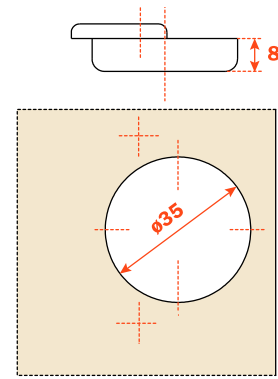
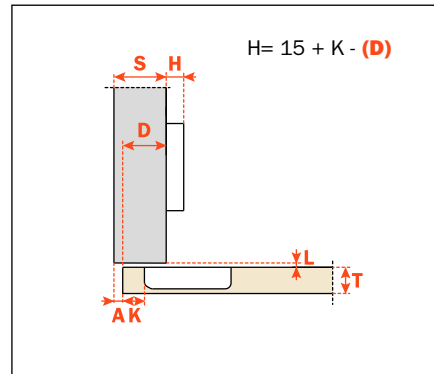
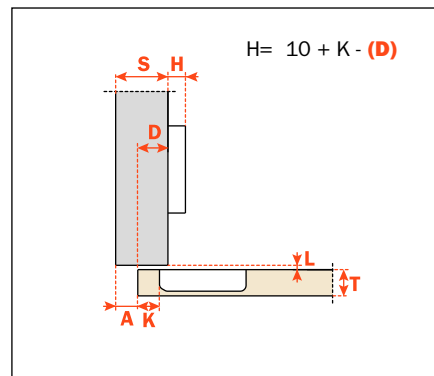
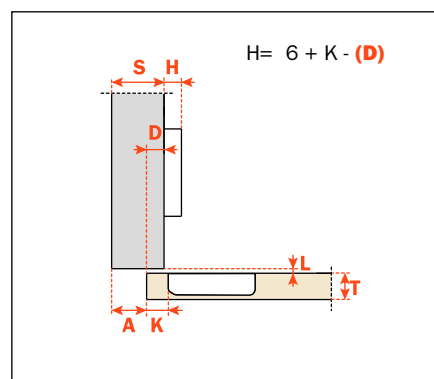
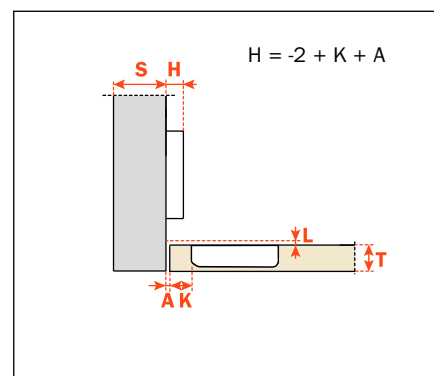
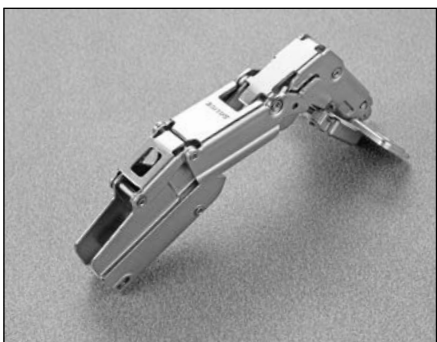
Boxes 100 pcs.
Pallets 2.400 pcs.

CA sprung hinge

Use these formulas to determine the type of hinge arm, the drilling distance "K" and the height of the mounting plate "H" which is necessary to solve each application problem.

To limit the opening of the hinge, see the leaflet "Accessories".

Use the tables "Drillings and fixings" at page 3 to complete the code number of the desired hinge.

**Arm 0****CA - C2_MA99****Arm 5****CA - C2_MD99****Arm 9****CA - C2_MG99****Arm 17****CA - C2_MP99**



Technical information

**Hinges for wooden doors with positive angled assembly.
For min. 10 mm thick doors.**

8mm deep metal cup.

105° opening.

Possible drilling distance on the door (K): from 3 to 6 mm.

Compatible with all traditional Series 200 mounting plates and with all Domi snap-on mounting plates.

Packing

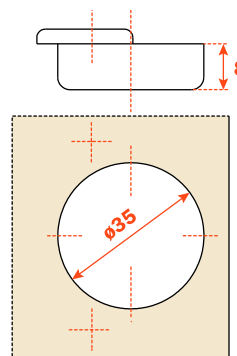
Boxes 150 pcs.

Pallets 3.600 pcs.

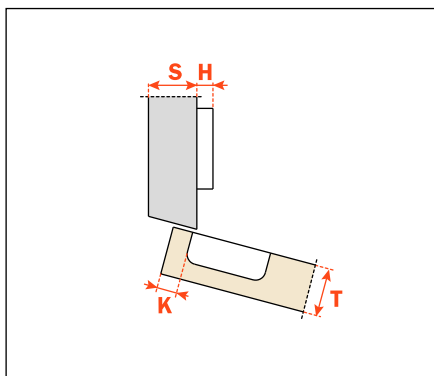
CA sprung hinge

The solution of assembly problems where doors are mounted at a positive angle requires the verification of drilling distances by a practical trial. Please do not hesitate to consult our technical support department for assistance.

Use the tables "Drillings and fixings" at page 3 to complete the code number of the desired hinge.

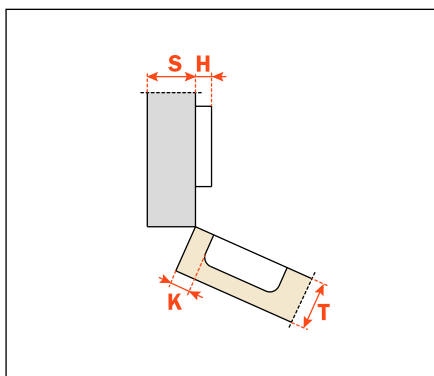


Arm **15°**



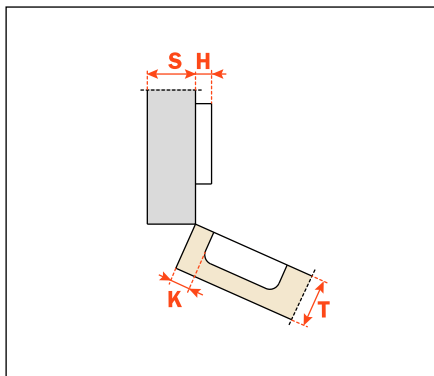
CA - C1_6Z99

Arm **24°**



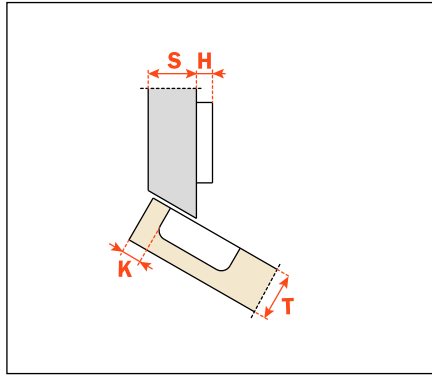
CA - C1_6U99

Arm **30°**



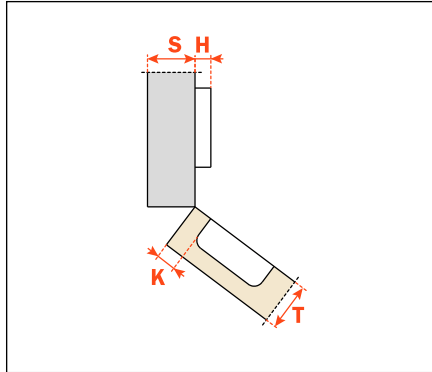
CA - C1_6E99

Arm 30°



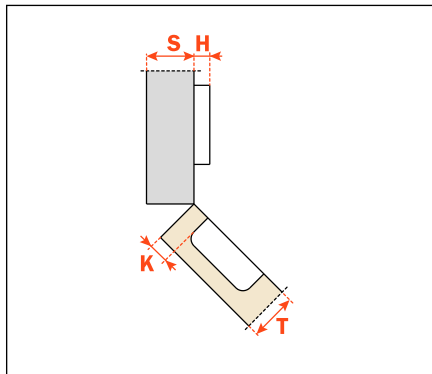
CA - C1_6T99

Arm 37°



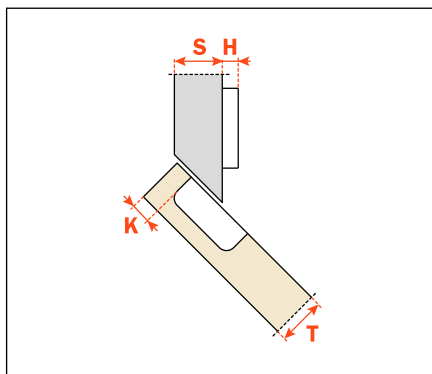
CA - C1_6K99

Arm 45°



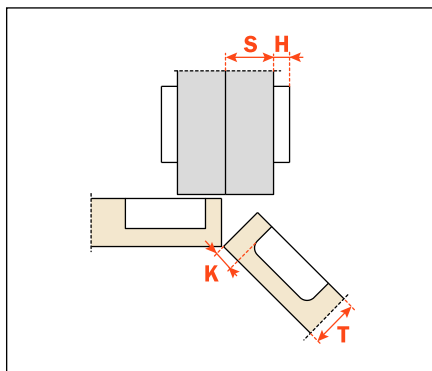
CA - C1_6M99

Arm 45°



CA - C1_6V99

Arm 45°



CA - C1_6M99AC



Technical information

Crampon hinges.
For cabinet sides with 37x32 mm standard drilling.
For min. 10 mm thick doors.
 8 mm deep metal cup.
 105° opening.
 Possible drilling distance on the door (K): from 3 to 6 mm.
 Compatible with all traditional Series 200 mounting plates and with all Domi snap-on mounting plates.

Packing

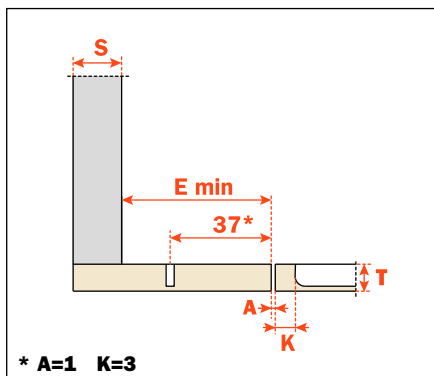
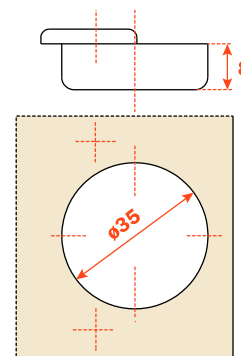
Boxes 150 pcs.
 Pallets 3.600 pcs.

CA sprung hinge

E min:

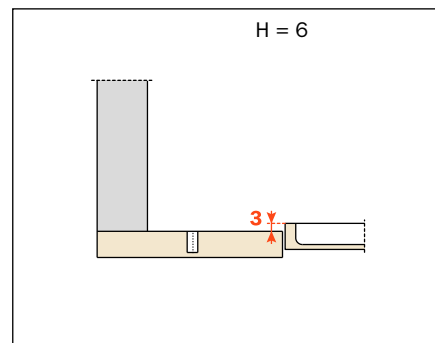
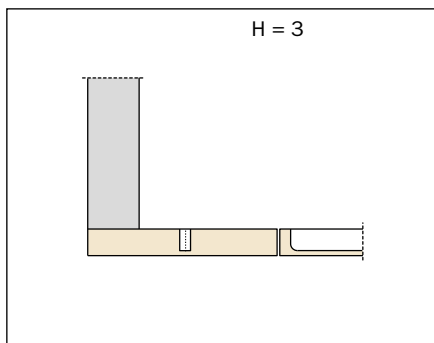
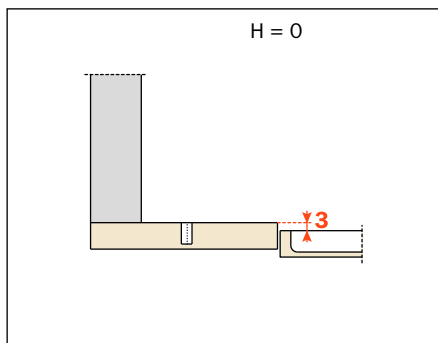
61 mm for Series 200 mounting plates.
 70 mm for Domi snap-on mounting plates.
 74 mm for Domi snap-on mounting plates with back cam.

Use the tables "Drillings and fixings" at page 3 to complete the code number of the desired hinge.



CA - C1_6N99AC

Heights of mounting plates for every assembly.



ARTURO SALICE S.p.A.

VIA PROVINCIALE NOVEDRATESE, 10
22060 NOVEDRATE (COMO) ITALIA
TEL. 031 790424
FAX 031 791508
info.salice@salice.com
www.salice.com

DEUTSCHE SALICE GMBH

RUDOLF DIESEL STR. 10
POSTFACH 1154
74382 NECKARWESTHEIM
TEL. 07233 9807-0
FAX. 07233 9807-16
info.salice@deutschesalice.de
www.deutschesalice.de

DEUTSCHE SALICE GMBH

VERKAUFSBÜRO NORD
RINGSTRASSE 36/A30 CENTER
32584 LÖHNE
TEL. 05731 15608-0
FAX. 05731 15608-10
vknord@deutschesalice.de
www.deutschesalice.de

SALICE FRANCE S.A.R.L.

ROUTE DE GOA ZAC LES 3 MOULINS
06600 ANTIBES
TEL. 0493 330069
FAX. 0493 330141
info.salice@salicefrance.com
www.salicefrance.com

SALICE ESPAÑA, S.L.U.

CALLE COPÉRNICO, 11
POLÍGONO INDUSTRIAL
COLL DE LA MANYA
08403 GRANOLLERS (BARCELONA)
TEL. 938 46 88 61
FAX 938 49 11 97
info.salice@saliceespana.es
www.saliceespana.es

SALICE UK LTD.

KINGFISHER WAY
HUNCHINGBROOKE BUSINESS PARK
HUNTINGDON CAMBS PE 29 6FN
TEL. 01480 413831
FAX. 01480 451489
info.salice@saliceuk.co.uk
www.saliceuk.co.uk

SALICE AMERICA INC.

2123 CROWN CENTRE DRIVE
CHARLOTTE NC. 28227
TEL. 704 8417810
FAX. 704 8417808
info.salice@saliceamerica.com
www.saliceamerica.com

SALICE CANADA INC.

3500 RIDGEWAY DRIVE,
UNIT#1
MISSISSAUGA, ONTARIO, L5L 0B4
TEL. 905 8208787
FAX. 905 8207226
info.salice@salicecanada.com
www.salicecanada.com

SALICE CHINA (SHANGHAI) CO. LTD.

1st FLOOR, B1 BLDG 928 MINGZHU ROAD
XUJING, QINGPU DISTRICT
SHANGHAI 201702 - CHINA
Tel. 021 3988 9880
Fax 021 3988 9882
info.salice@salicechina.com
www.salicechina.com