



6-way distributor 12 V / 24 V

833.77.832 833.95.747
833.77.833 833.95.748
833.77.834 833.95.749

				W	A		T_A
833.95.748		12 V	6 x 12 V	0 - 60 W	5,00	120,5 x 50,2 x 16	-20 °C - +45 °C -4 °F - +113 °F
833.95.749		12 V	6 x 12 V	0 - 42 W	3,50		
833.77.833		24 V	6 x 24 V	0 - 90 W	3,75		
833.77.834		24 V	6 x 24 V	0 - 84 W	3,50		
833.95.747		12 V	6 x 12 V	0 - 60 W	5,00		
833.77.832		24 V	6 x 24 V	0 - 90 W	3,75		

732.28.454

2x **B** **C**

+

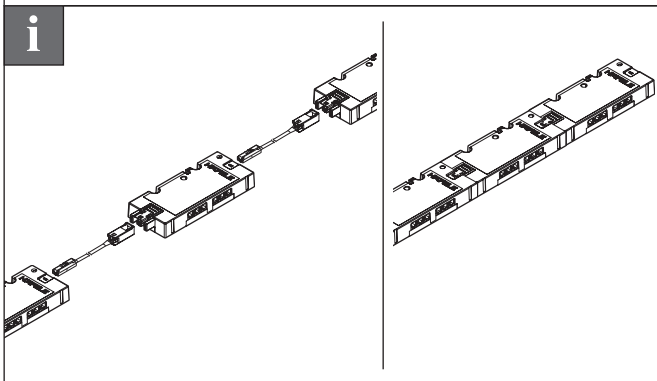
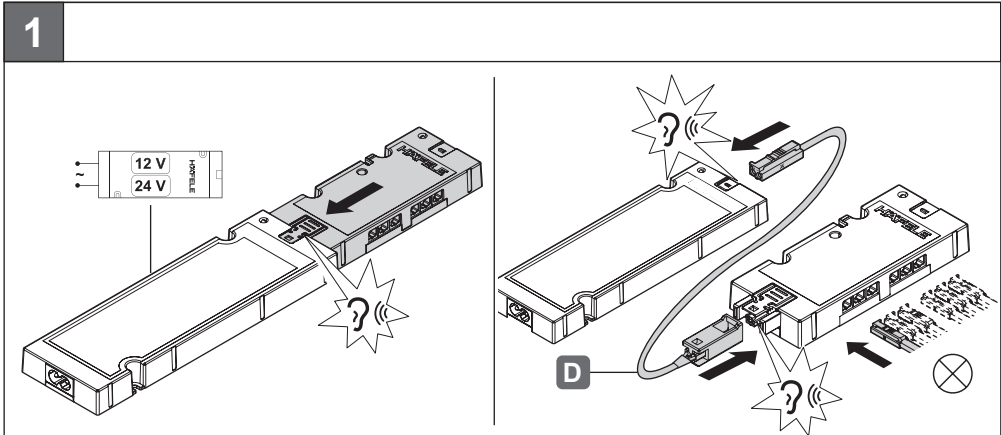
x	12V
500	833.95.712
1000	833.95.713
2000	833.95.714

x	24V
500	833.95.719
1000	833.95.718
2000	833.95.717

i

100 - 240 V~

HDE 05.06.19



i

12V System

- $\otimes_1 + \otimes_2 + \dots + \otimes_n < 20 \text{ W}$
- $\otimes_1 + \otimes_2 + \dots + \otimes_n < 40 \text{ W}$
- $\otimes_1 + \otimes_2 + \dots + \otimes_n < 60 \text{ W}$

24V System

- $\otimes_1 + \otimes_2 + \dots + \otimes_n < 20 \text{ W}$
- $\otimes_1 + \otimes_2 + \dots + \otimes_n < 40 \text{ W}$
- $\otimes_1 + \otimes_2 + \dots + \otimes_n < 90 \text{ W}$

732.28.454

