

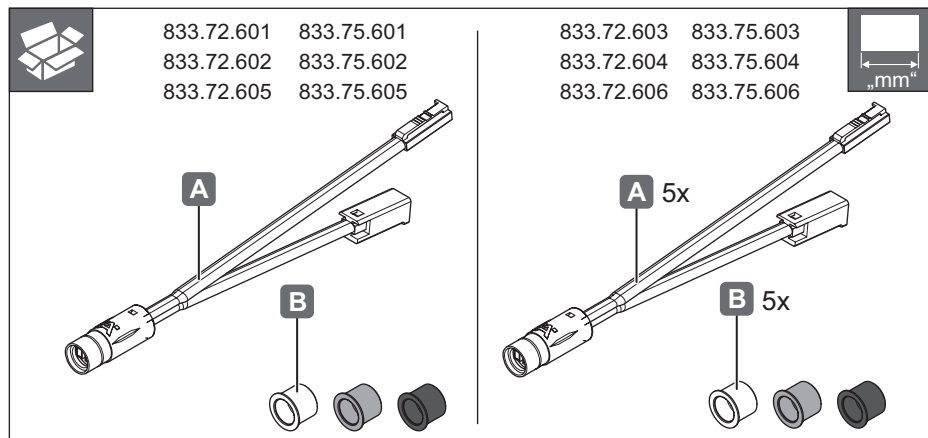
**LED 2101**  
**LED 2102**

**LED 3101**  
**LED 3102**

833.72.601	833.75.601
833.72.602	833.75.602
833.72.605	833.75.605
833.72.603	833.75.603
833.72.604	833.75.604
833.72.606	833.75.606

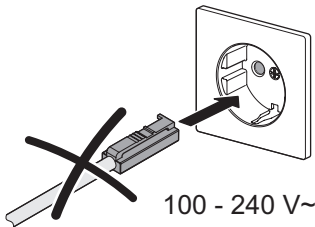
12 V System	24 V System	SET	V	W	K	T <sub>A</sub>	mm
833.72.601	12 V	single	0.3 W	27-50 K MW 2-wire	3000 K	-20 °C – +45 °C -4 °F – +113 °F	200 x 75 x 6
833.72.602					4000 K		
833.72.605					5x 3000 K		
833.72.603		5x 4000 K					
833.72.604		5x 27-50 K MW 2-wire					
833.72.606		5x 27-50 K MW 2-wire					
833.75.601	24 V	single	0.3 W	27-50 K MW 2-wire	3000 K		
833.75.602					4000 K		
833.75.605					5x 3000 K		
833.75.603		5x 4000 K					
833.75.604		5x 27-50 K MW 2-wire					
833.75.606		5x 27-50 K MW 2-wire					

732.28.266



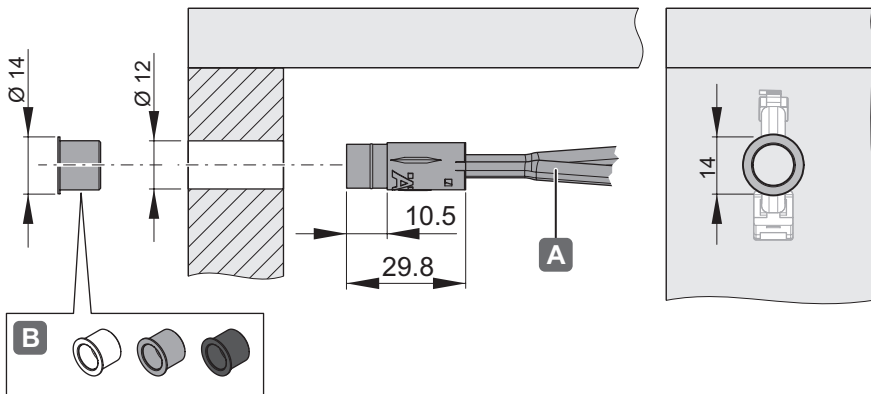
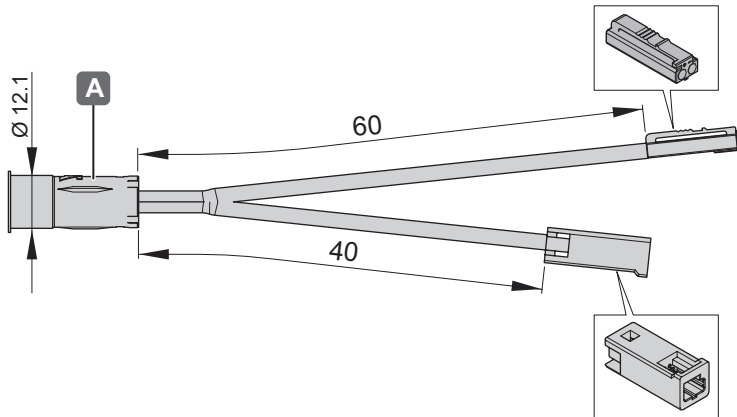
**WARNING - THIS LUMINAIRE IS NOT SUITABLE FOR INSTALLATION IN LOCATIONS WHERE THERMAL INSULATION IS PRESENT, OR MAY REASONABLY BE EXPECTED TO BE INSTALLED IN THE FUTURE, OR WHERE THERE IS A LIKELIHOOD OF OTHER COMBUSTIBLE MATERIAL, E.G. LEAVES OR VERMIN DEBRIS, ETC. COLLECTING ON OR AROUND THE LUMINAIRE. IT IS NOT SUITABLE FOR DOMESTIC INSTALLATIONS OR INSTALLATION IN RESIDENTIAL AREAS OF NON-DOMESTIC INSTALLATIONS (RESIDENTIAL INSTITUTIONS, HOTELS, BOARDING HOUSES, HOSPITALS, ACCOMMODATION HOUSES, MOTELS, HOSTELS AND THE LIKE).**

HDE 30.08.2023



100 - 240 V~

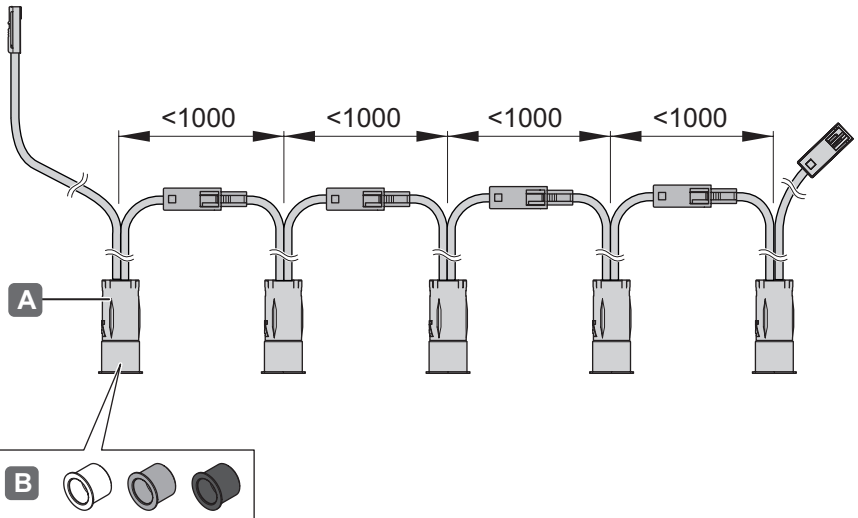
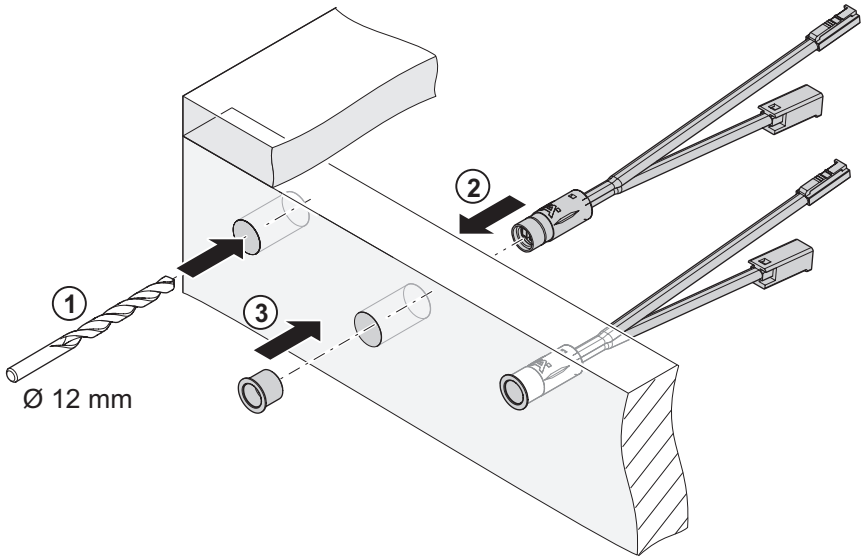
i



732.28.266

HDE 30.08.2023

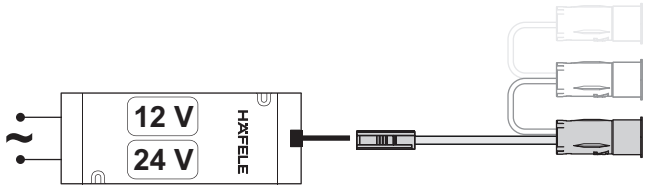
1



732.28.266

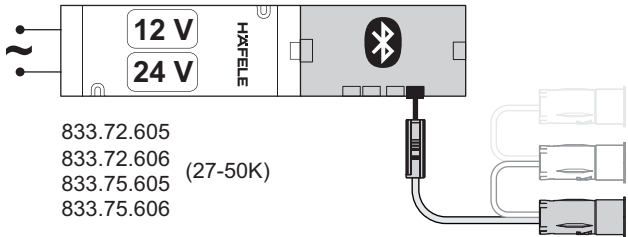
HDE 30.08.2023

2a

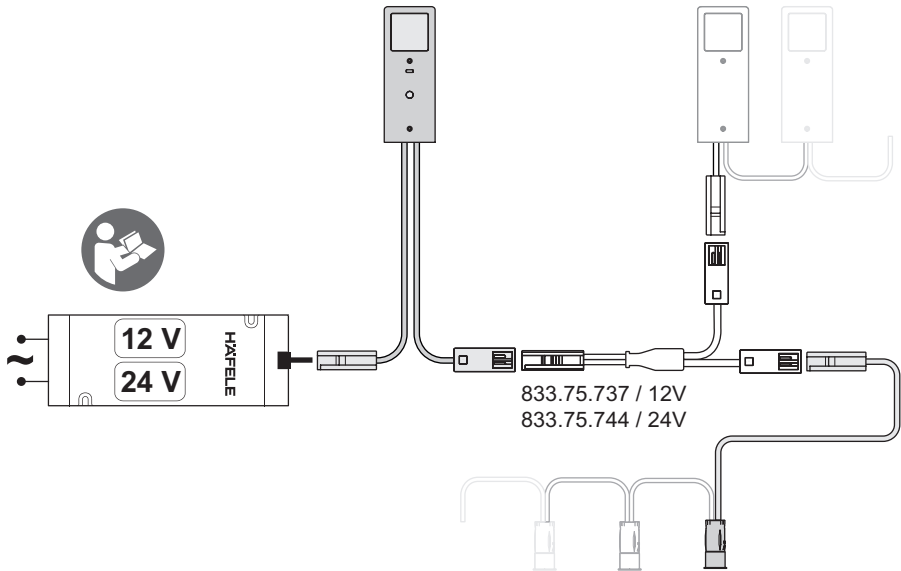


833.72.601 833.75.601  
833.72.602 833.75.602  
833.72.603 833.75.603  
833.72.604 833.75.604

2b



833.72.605  
833.72.606 (27-50K)  
833.75.605  
833.75.606



833.75.737 / 12V  
833.75.744 / 24V

732-28.266

HDE 30.08.2023