



833.89.333
833.89.334
833.89.335

732.28.475

	V	L(mm/in)	T _A	mm/in
833.89.333 833.89.335 30/60/180 s 5/15/30 min	12 V 24 V	0 - 3000 mm 0 - 118.11 in	-20 °C – +45 °C -4 °F – +113 °F	45 x 12 mm 1.77 x 0.47 in
833.89.334 		0 - 75 mm 0 - 2.95 in		50 x 12 mm 1.97 x 0.47 in

A₁

833.89.334

A₂

833.89.333
833.89.335

B

C

833.89.331

833.89.332

833.89.330

2x **E**

D

F

X	
500	833.89.140
1000	833.89.141
2000	833.89.142

HDE 28.07.2023

i

100 - 240 V~

1

833.89.333
833.89.335

30/60/180 sec

833.89.334

5% 100%

2a

12 mm

12 mm

1

F

A1 / A2

45

Ø12

2

Ø12

3

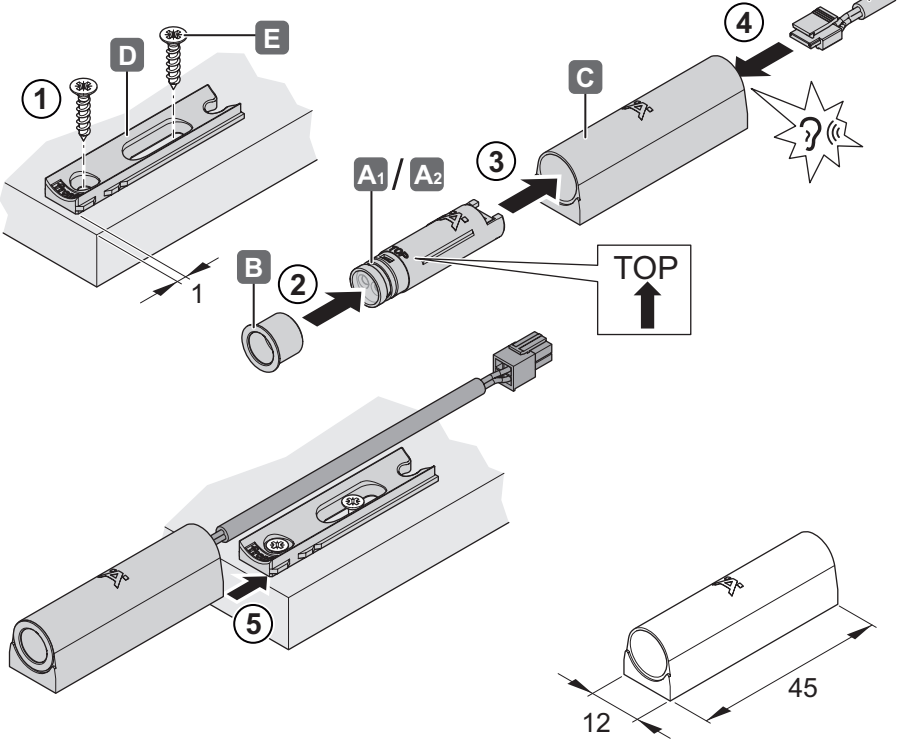
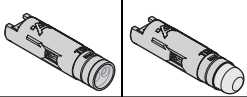
4

B

732.28.475

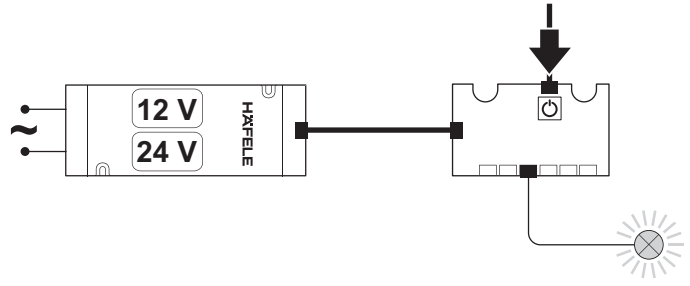
HDE 28.07.2023

2b



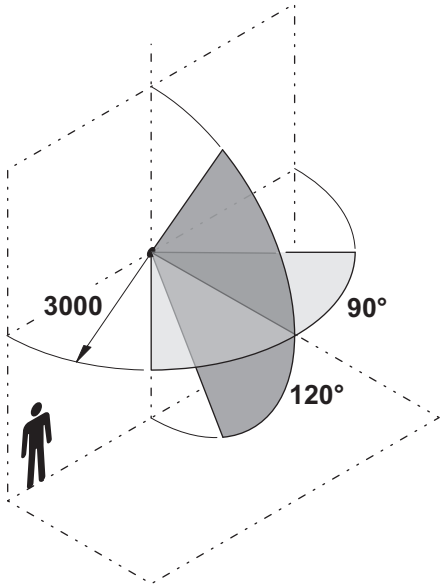
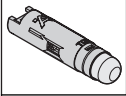
732.28.475

3

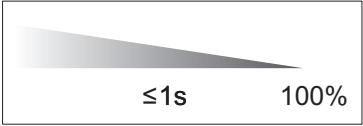
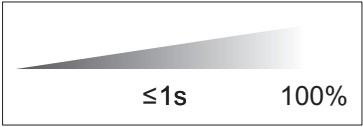
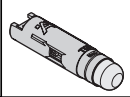
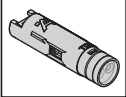


HDE 28.07.2023

i



732.28.475



HDE 28.07.2023