



833.89.126-129
833.89.166-175
833.89.058

<div style="display: flex; justify-content: space-around;"> 12 V System 24 V System 350 mA System </div>		\varnothing (mm)	T_A			
833.89.126 <input type="checkbox"/> 833.89.166 <input checked="" type="checkbox"/> 5% 833.89.168 <input type="checkbox"/>		0-75	-20 °C – +45 °C -4 °F – +113 °F	\varnothing 13.5 x 45.9	$\geq \varnothing$ 14.5 x 55.9	Loox 12 V
833.89.127 <input type="checkbox"/> 833.89.167 <input checked="" type="checkbox"/> 833.89.169 <input type="checkbox"/>		0-75				Loox 24 V
833.89.128 <input type="checkbox"/> 833.89.170 <input checked="" type="checkbox"/> 833.89.171 <input type="checkbox"/>		0-100				Loox 350 mA
833.89.129 <input type="checkbox"/> 833.89.172 <input checked="" type="checkbox"/> 833.89.173 <input type="checkbox"/>		0-3000				\varnothing 13.5 x 55.7
833.89.058 <input type="checkbox"/> 833.89.174 <input checked="" type="checkbox"/> 5% 833.89.175 <input type="checkbox"/>	N/A	N/A		\varnothing 13.5 x 45.9	$\geq \varnothing$ 14.5 x 55.9	

732.28.406

833.89.126 833.89.168
 833.89.127 833.89.169
 833.89.128 833.89.171
 833.89.166
 833.89.167
 833.89.170

833.89.129
 833.89.172
 833.89.173

833.89.058
 833.89.174
 833.89.175

+

2x 833.89.092
 833.89.163
 833.89.165

+

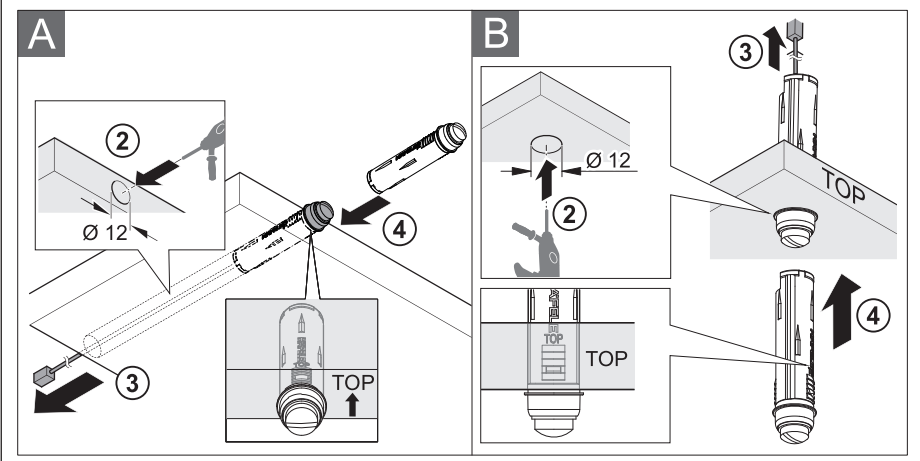
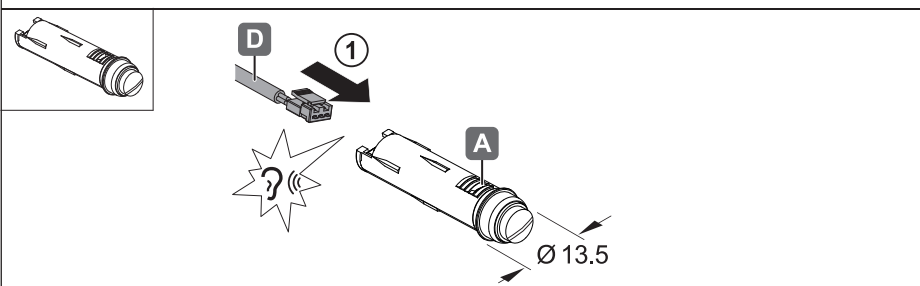
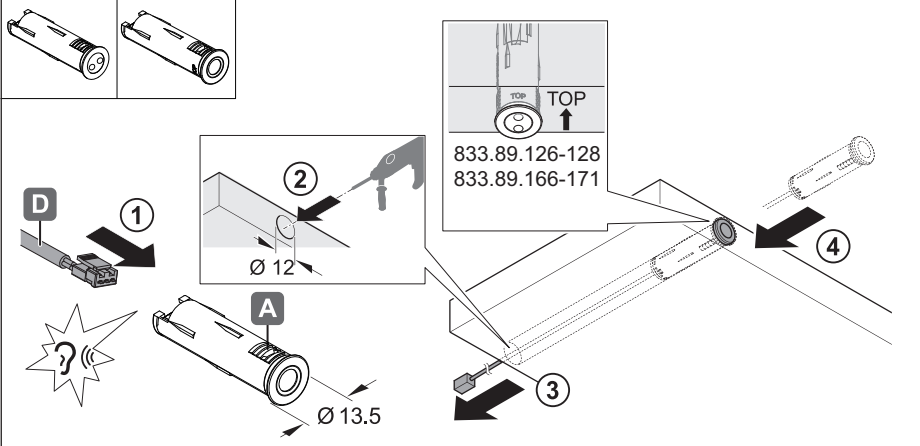
X	
500	833.89.140
1000	833.89.141
2000	833.89.142

HDE 10.11.2020

i

100 - 240 V~

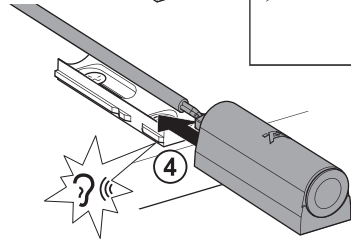
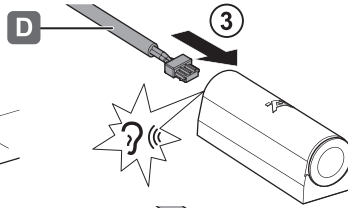
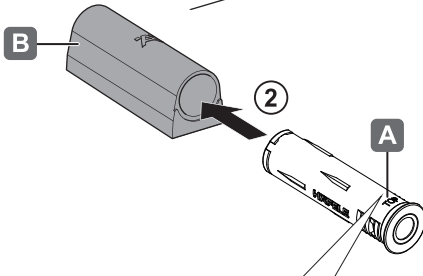
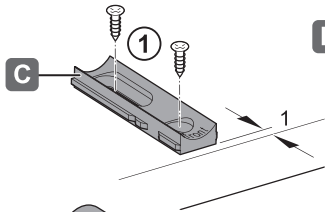
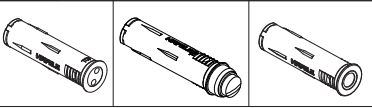
1.1  12 mm



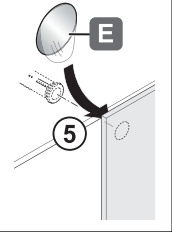
732.28.406

HDE 10.11.2020

1.2



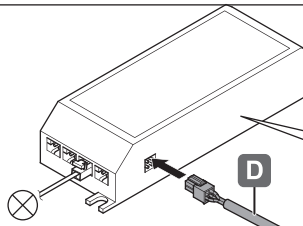
833.89.128
833.89.170
833.89.171



	833.89.126		833.89.129
	833.89.127		833.89.172
	833.89.128		833.89.173
	833.89.166		833.89.058
	833.89.167		833.89.174
	833.89.170		833.89.175
	833.89.168		
	833.89.169		
833.89.171			

7-32.28.406

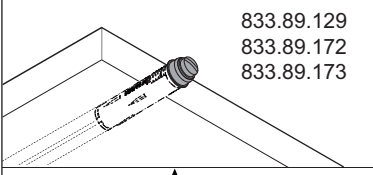
2



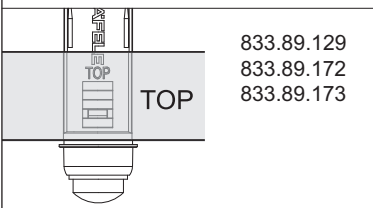
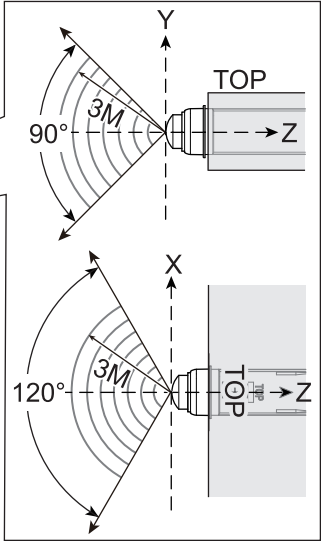
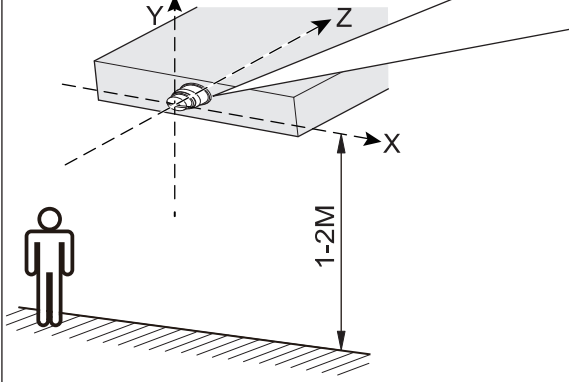
Loox	12 V
Loox	24 V
Loox	350 mA

HDE 10.11.2020

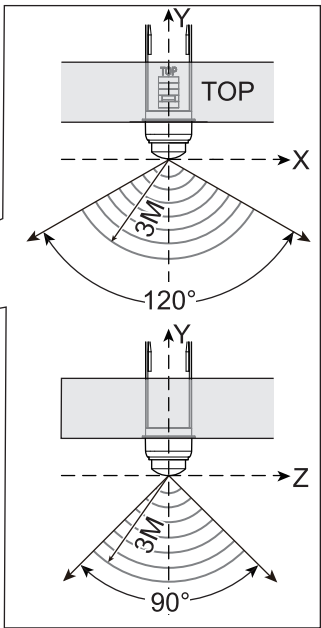
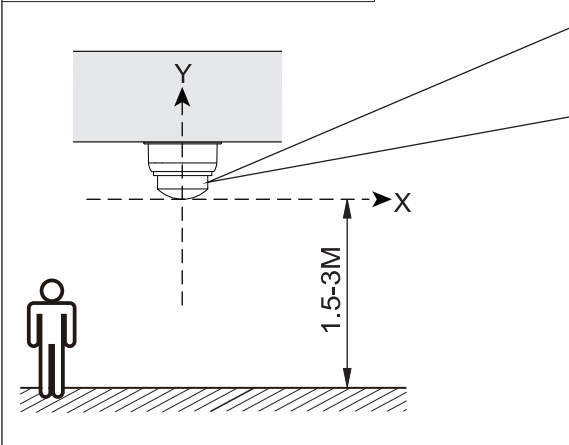
i



833.89.129
833.89.172
833.89.173



833.89.129
833.89.172
833.89.173



732.28.406

HDE 10.11.2020